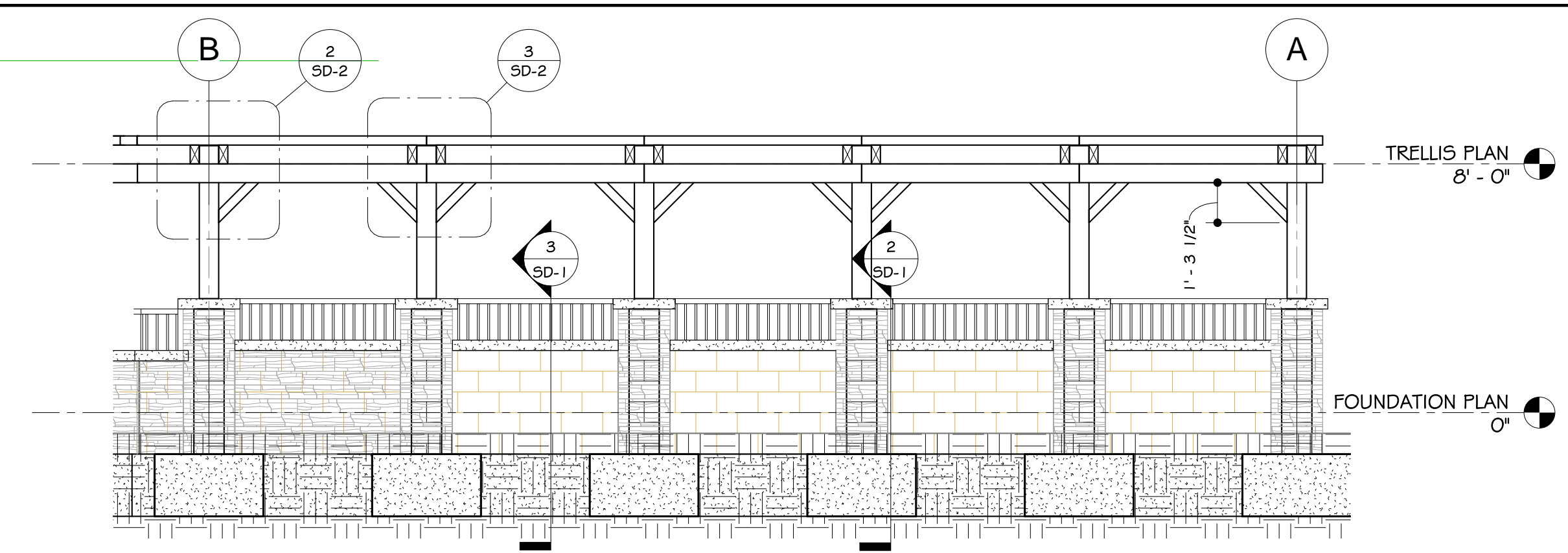
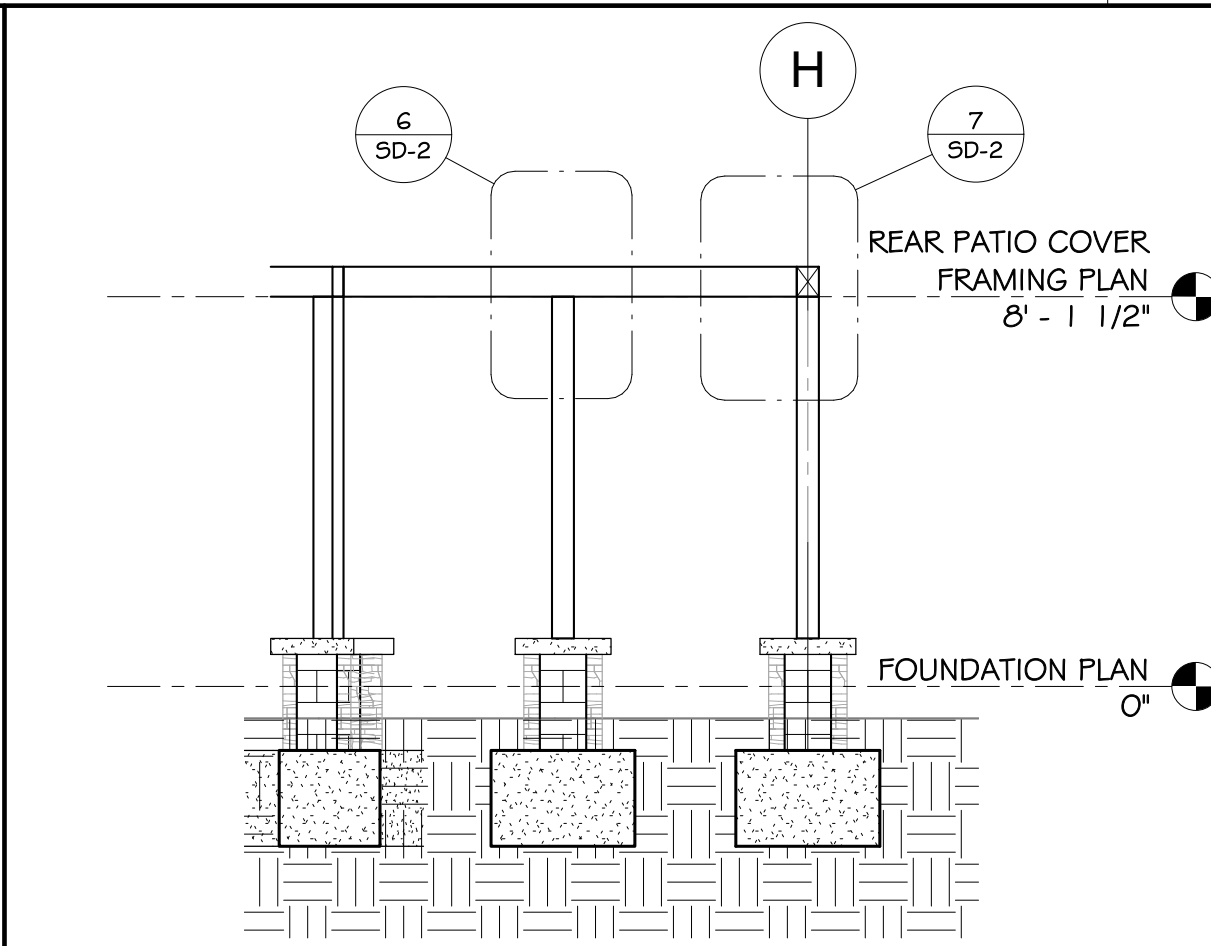


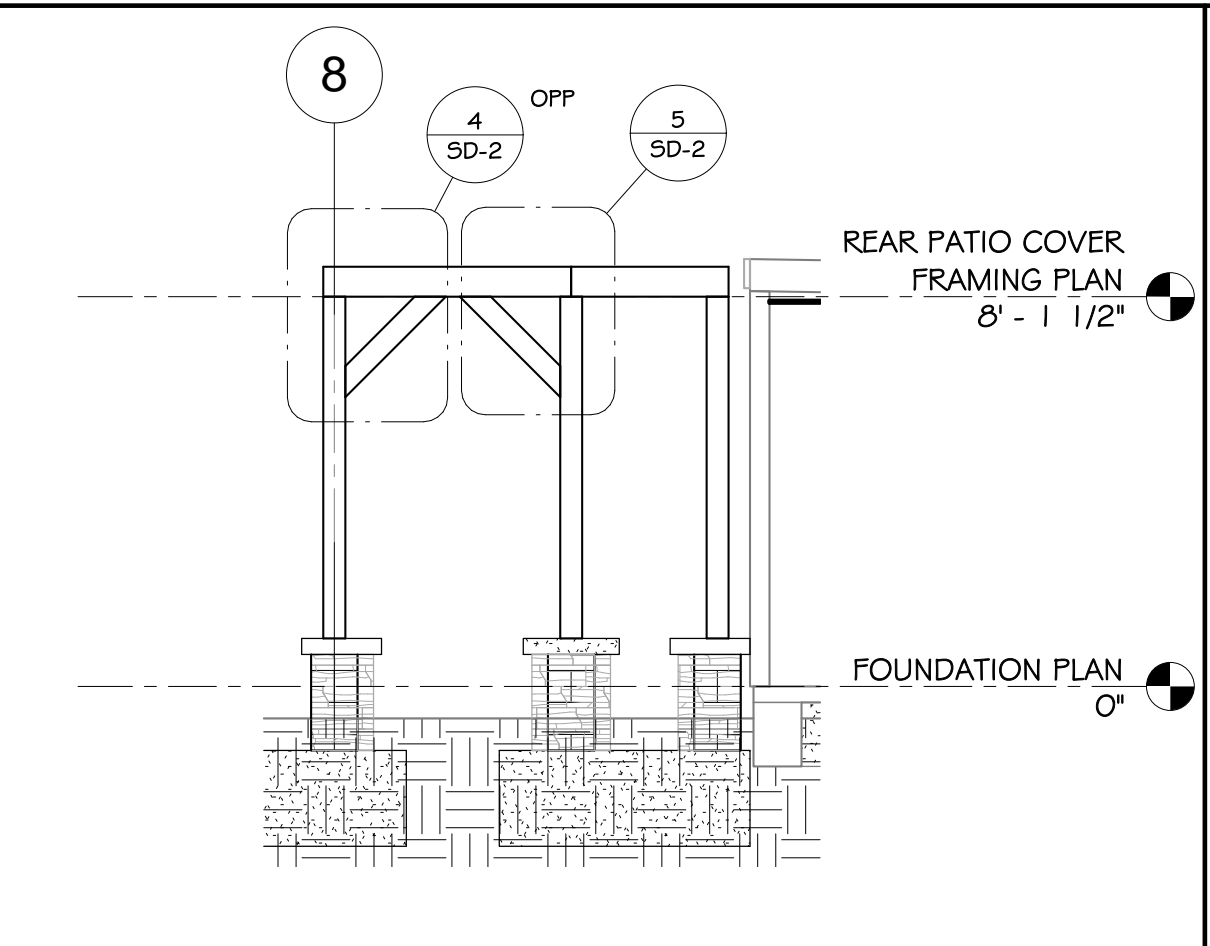
FRAMING ELEVATION
 SCALE: 1/4" = 1'-0"



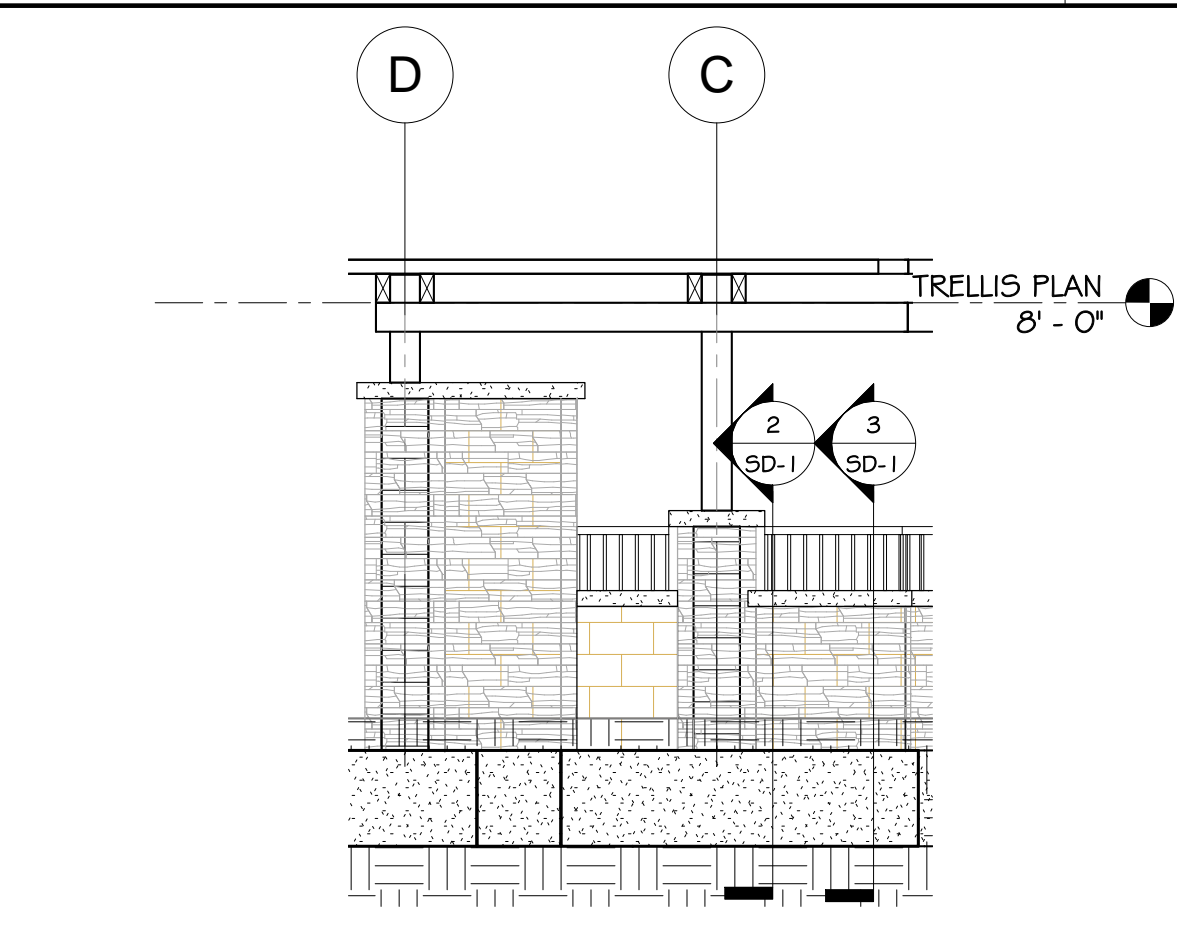
FRAMING ELEVATION
 SCALE: 1/4" = 1'-0"



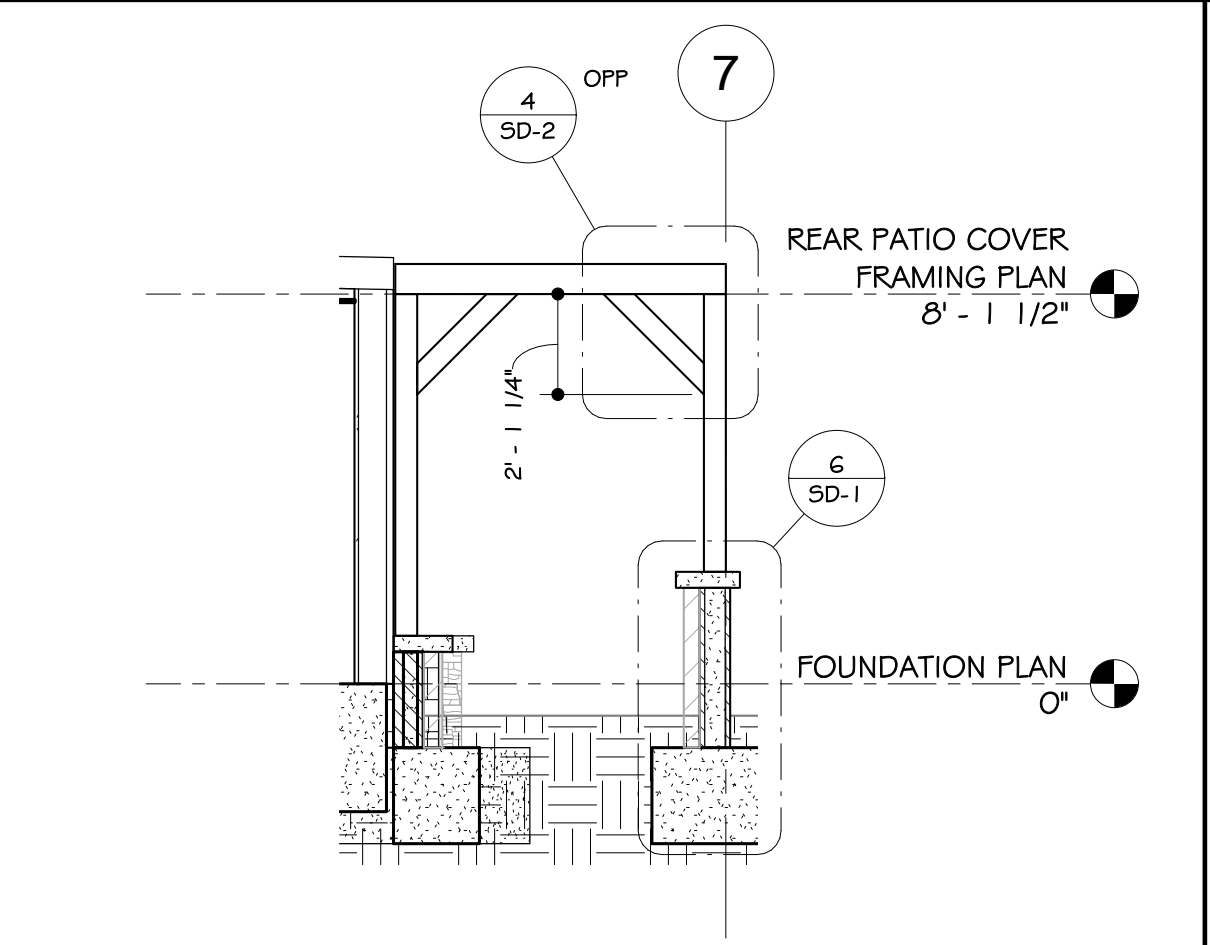
FRAMING ELEVATION
 SCALE: 1/4" = 1'-0"



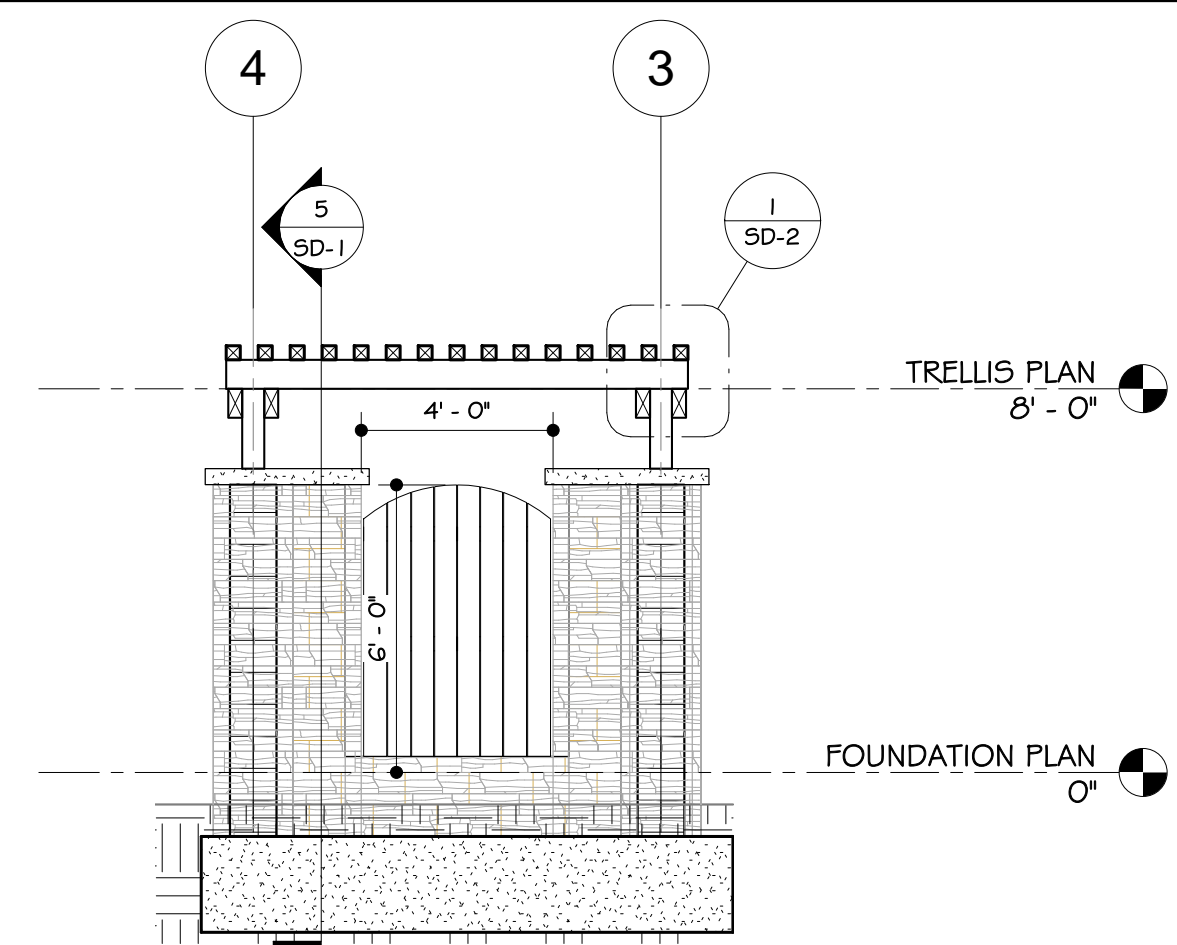
FRAMING ELEVATION
 SCALE: 1/4" = 1'-0"



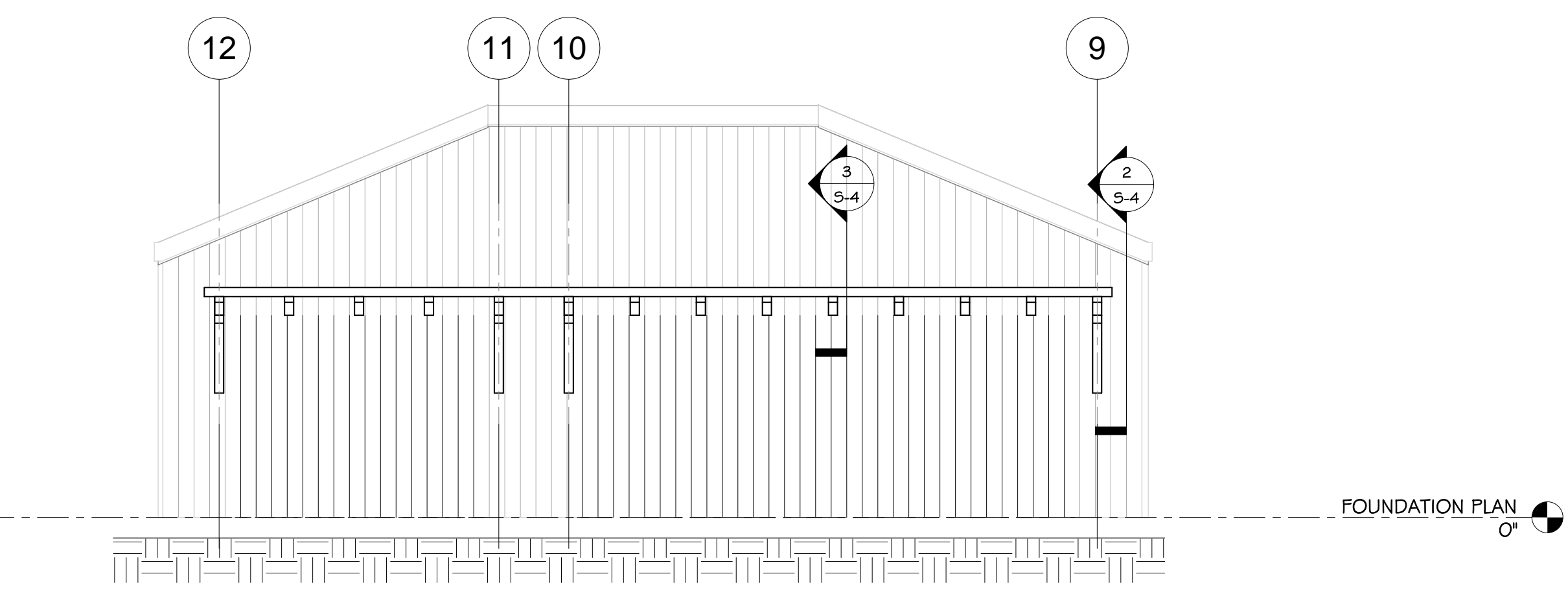
FRAMING ELEVATION
 SCALE: 1/4" = 1'-0"



FRAMING ELEVATION
 SCALE: 1/4" = 1'-0"



FRAMING ELEVATION
 SCALE: 1/4" = 1'-0"



FRAMING ELEVATION
 SCALE: 1/4" = 1'-0"

© 2013, ALLEN DESIGNS. THE USE AND PUBLICATION OF THESE PLANS AND DETAILS SHALL BE RESTRICTED TO THE ORIGINAL SITE FOR WHICH THEY WERE PREPARED. USE WITHOUT WRITTEN CONSENT OF ALLEN DESIGNS IS PROHIBITED.

ECKMANN RESIDENCE
32742 MEDITERRANEAN DR.
DANA POINT, CA

REVISION SCHEDULE		
NO.	DESC.	DATE



FRAMING ELEVATIONS
 DRAWN BY BA
 CHECKED BY TWA
 PROJECT # 21328