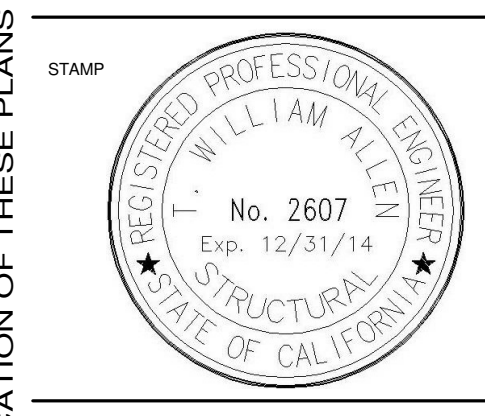


© 2013, ALLEN DESIGNS. THE USE AND PUBLICATION OF THESE PLANS AND DETAILS SHALL BE RESTRICTED TO THE ORIGINAL SITE FOR WHICH THEY WERE PREPARED. USE WITHOUT WRITTEN CONSENT OF ALLEN DESIGNS IS PROHIBITED.

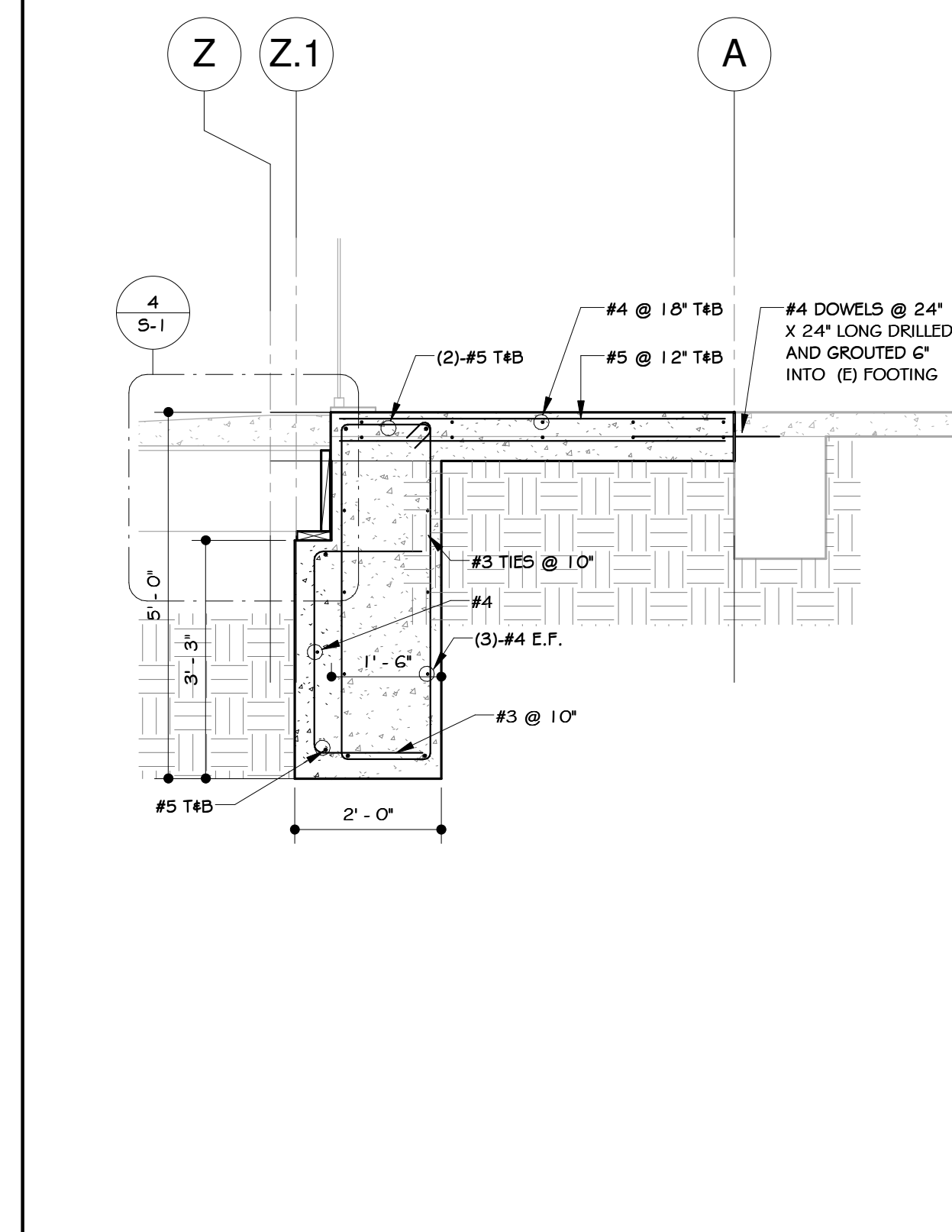
RAHIMIAN RESIDENCE
751 BALBOA AVE.
LAGUNA BEACH, CA 92651

REVISION SCHEDULE		
NO.	DESC.	DATE
1	MECH. UNIT RELOCATED	10/17/2013
3	VALUE ENGINEERING	02/12/2014
5	SCHEME 3.1	04/11/2014

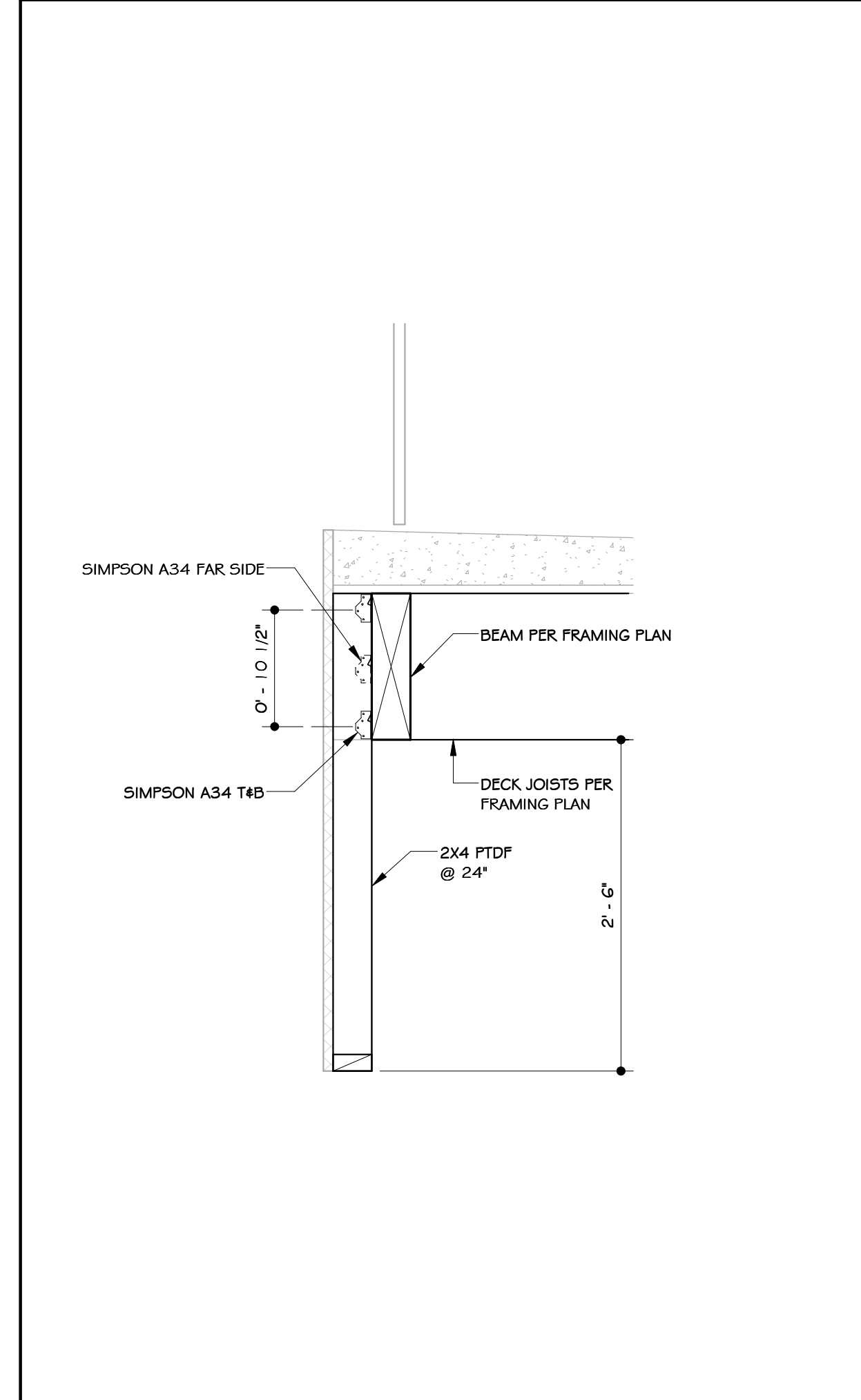


FOUNDATION PLAN
 DRAWN BY BA
 CHECKED BY TWA
 PROJECT # 21201
SCHEME 3.1

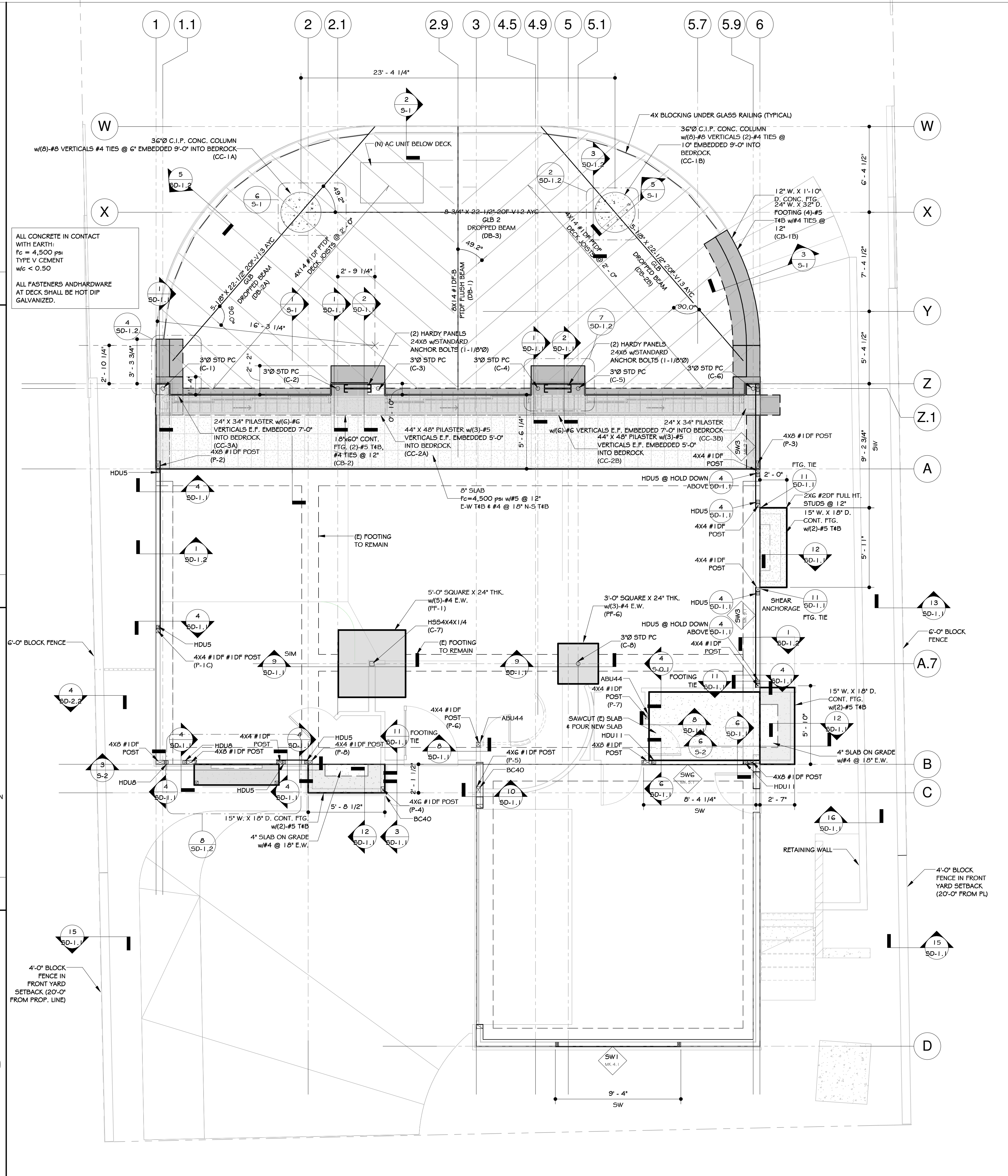
S-1



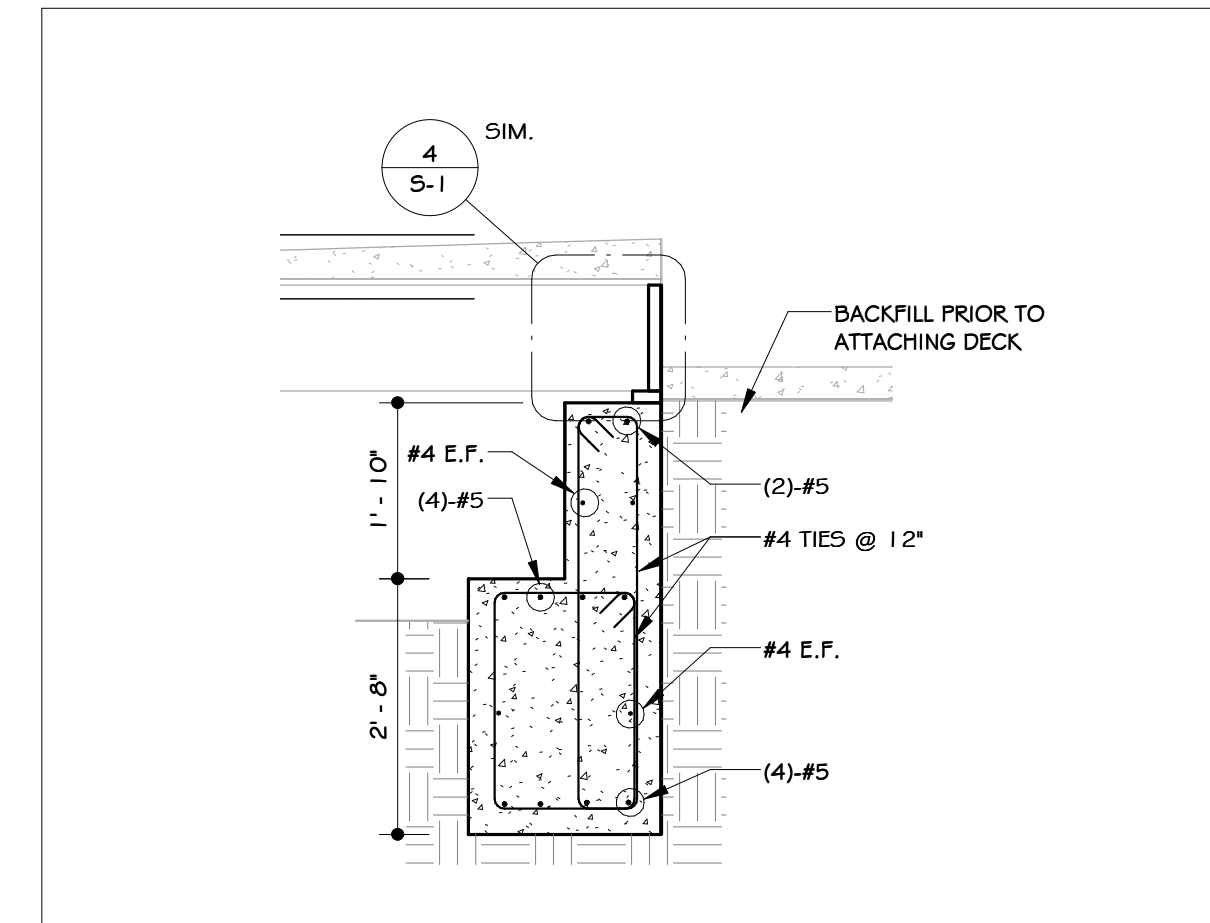
FOOTING SECTION
 SCALE: 1/2" = 1'-0"



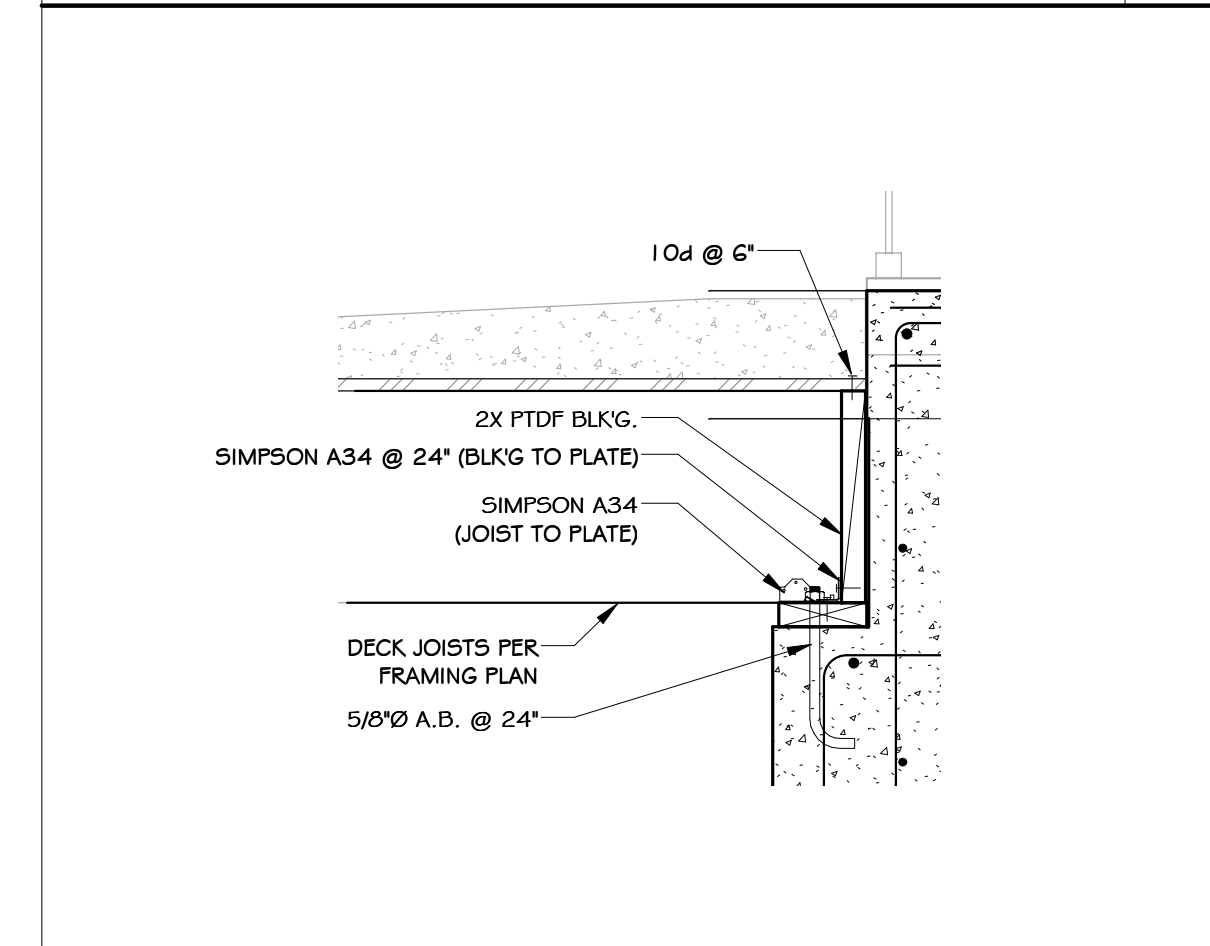
EDGE BEAM DETAIL
 SCALE: 1" = 1'-0"



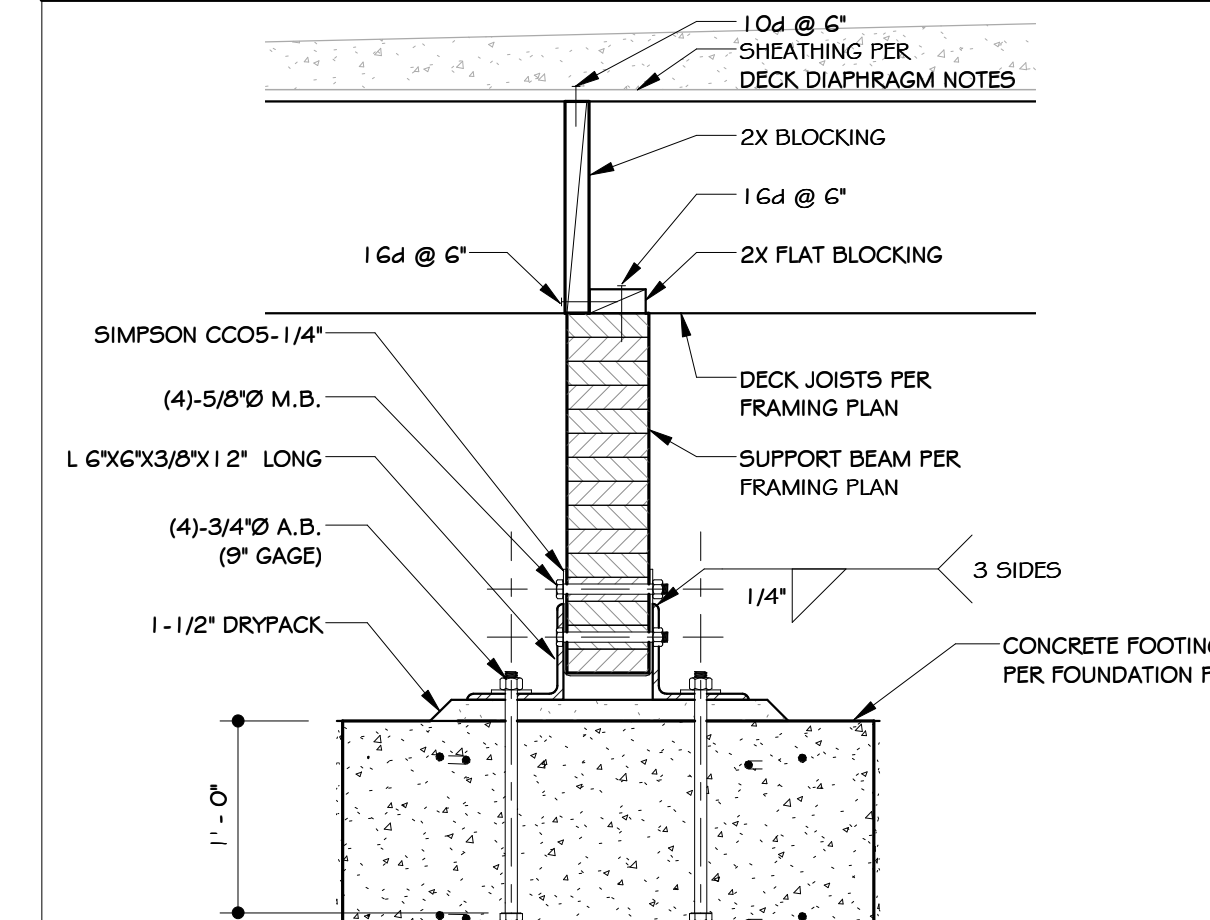
FOUNDATION PLAN
 SCALE: 1/4" = 1'-0"



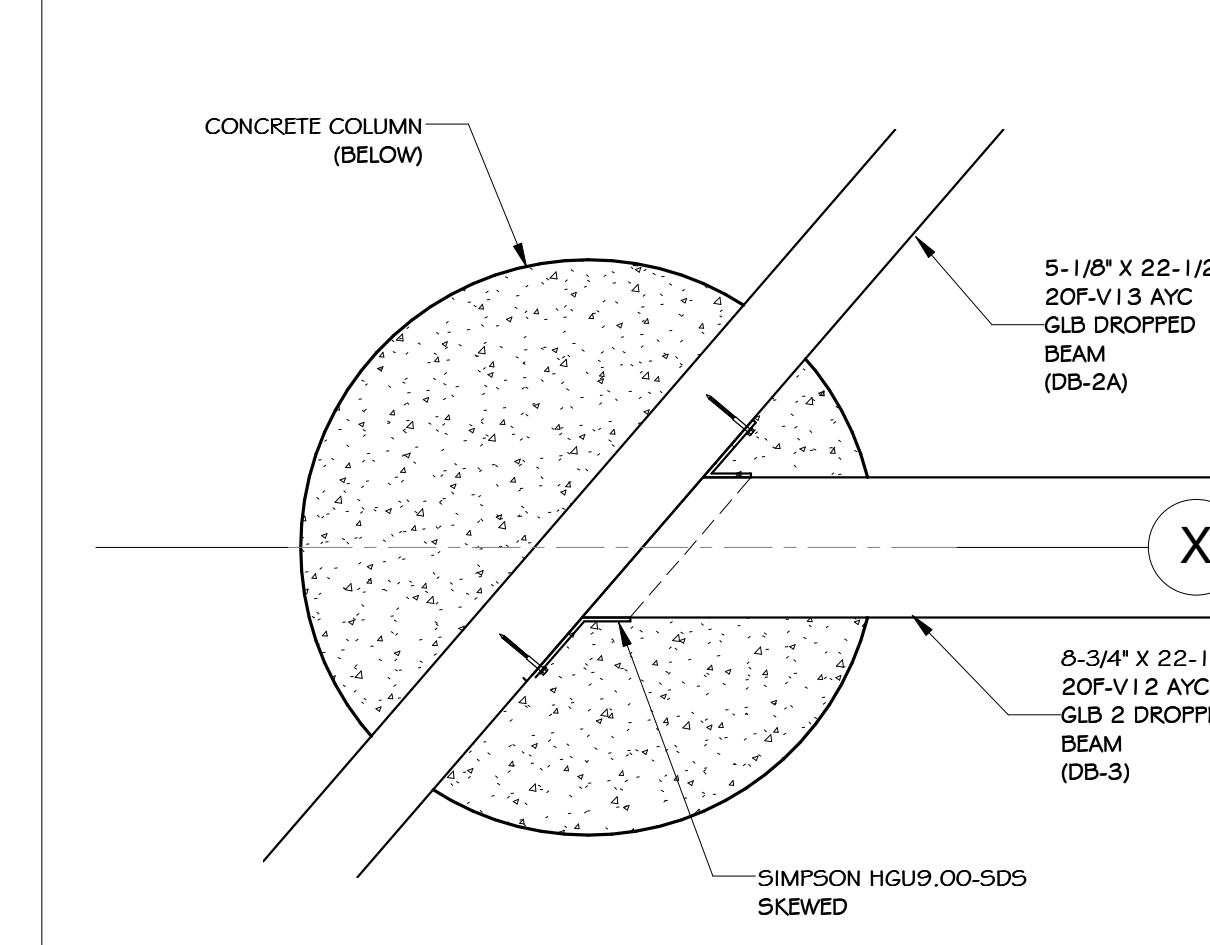
WING WALL DETAIL
 SCALE: 1/2" = 1'-0"



DECK CONNECTION DETAIL
 SCALE: 1" = 1'-0"



GIRDER CONNECTION DETAIL
 SCALE: 1" = 1'-0"



DB-3 CONNECTION
 SCALE: 1" = 1'-0"