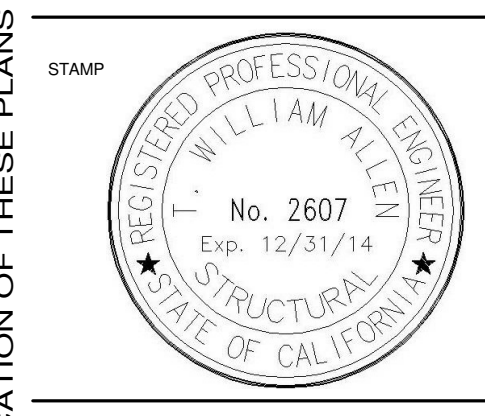


© 2013, ALLEN DESIGNS. THE USE AND PUBLICATION OF THESE PLANS AND DETAILS SHALL BE RESTRICTED TO THE ORIGINAL SITE FOR WHICH THEY WERE PREPARED. USE WITHOUT WRITTEN CONSENT OF ALLEN DESIGNS IS PROHIBITED.

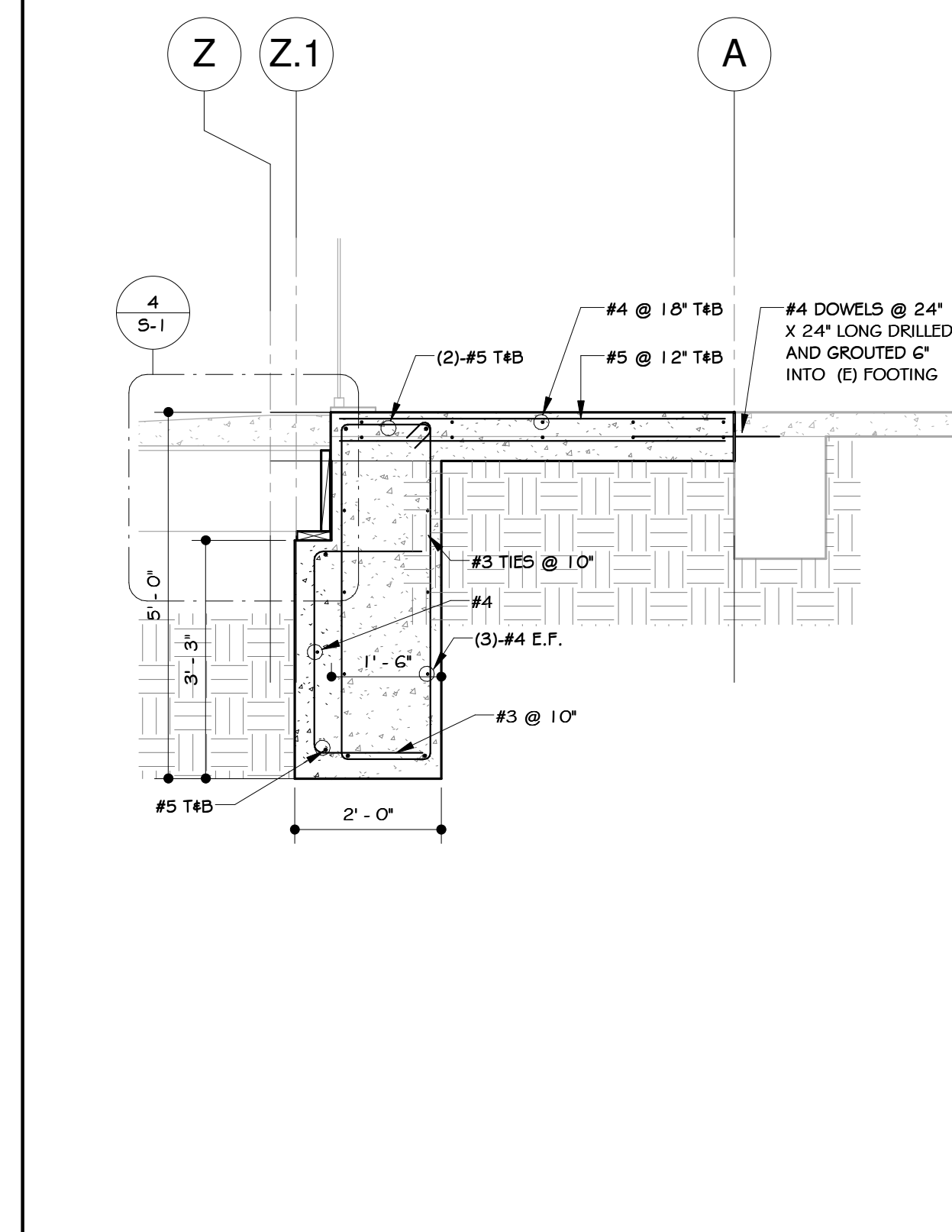
**RAHIMIAN RESIDENCE**  
**751 BALBOA AVE.**  
**LAGUNA BEACH, CA 92651**

REVISION SCHEDULE		
NO.	DESC.	DATE
1	MECH. UNIT RELOCATED	10/17/2013
3	VALUE ENGINEERING	02/12/2014
5	SCHEME 3.1	04/11/2014

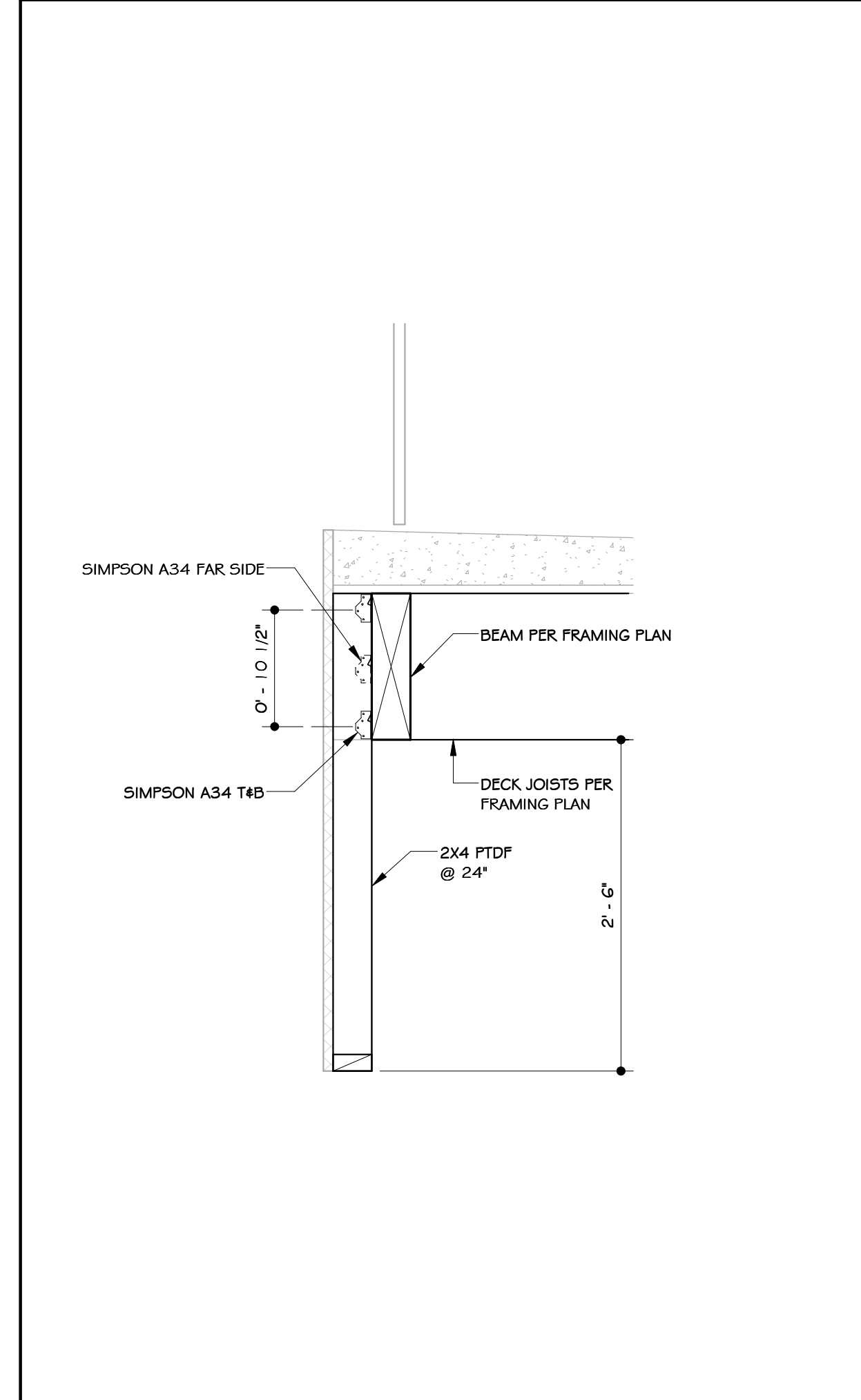


**FOUNDATION PLAN**  
 DRAWN BY BA  
 CHECKED BY TWA  
 PROJECT # 21201  
**SCHEME 3.1**

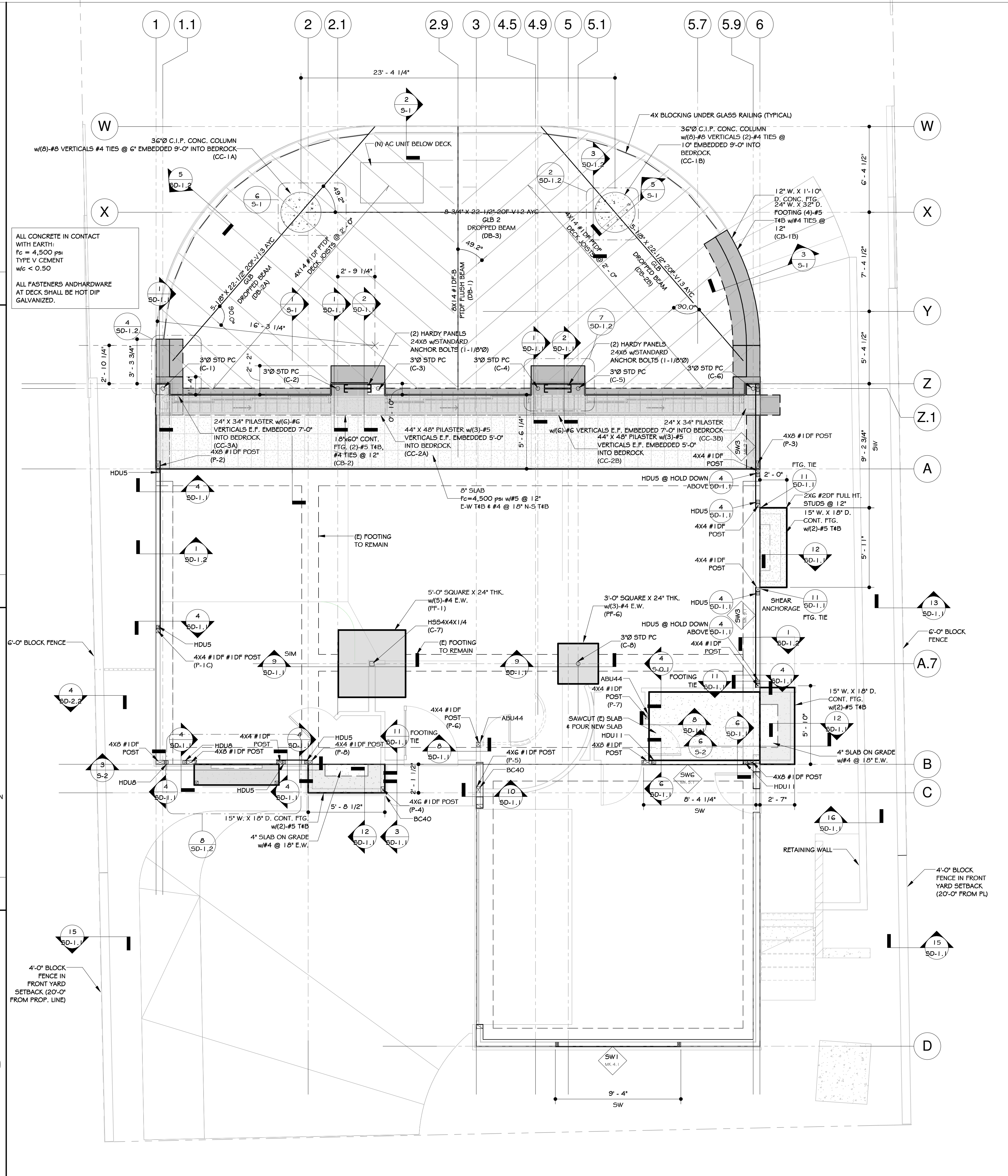
S-1



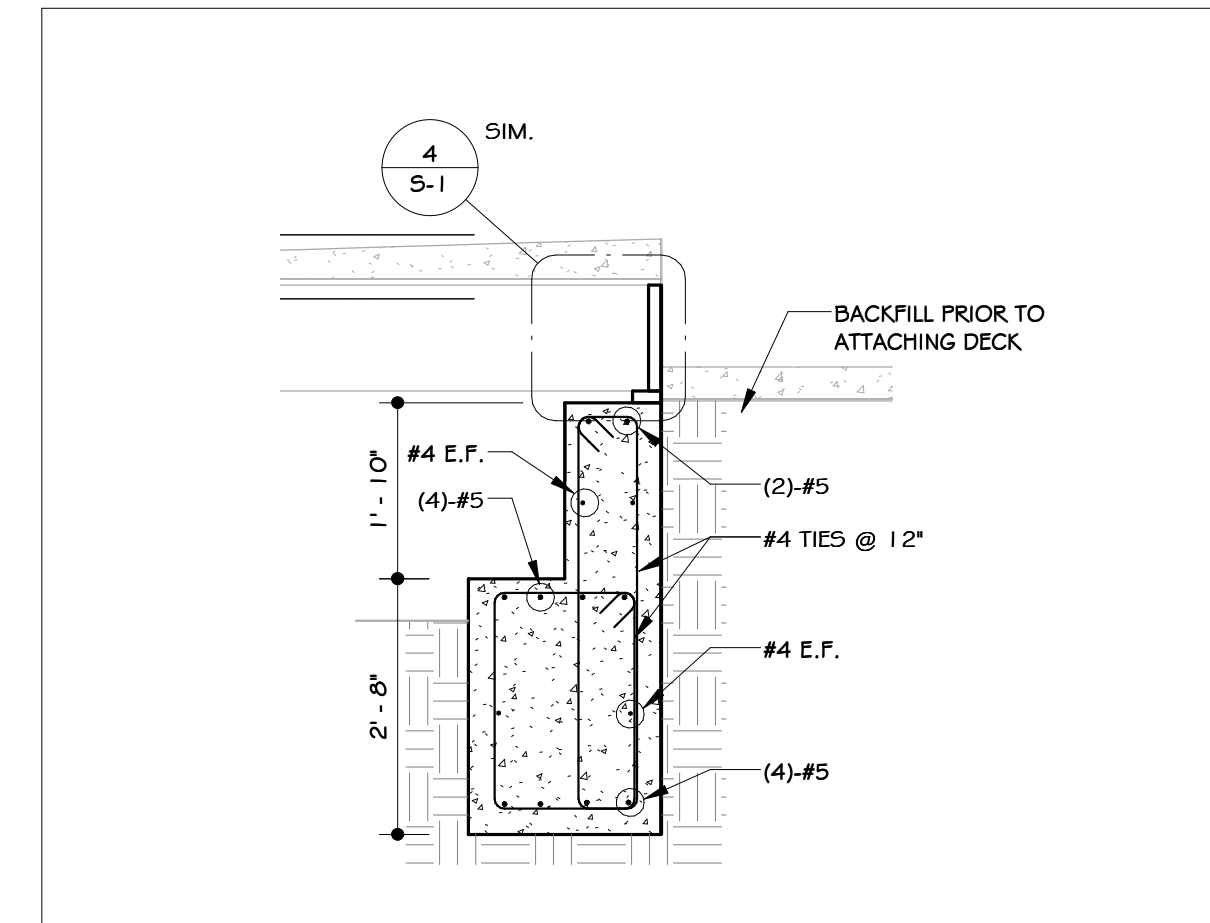
**FOOTING SECTION**  
 SCALE: 1/2" = 1'-0"



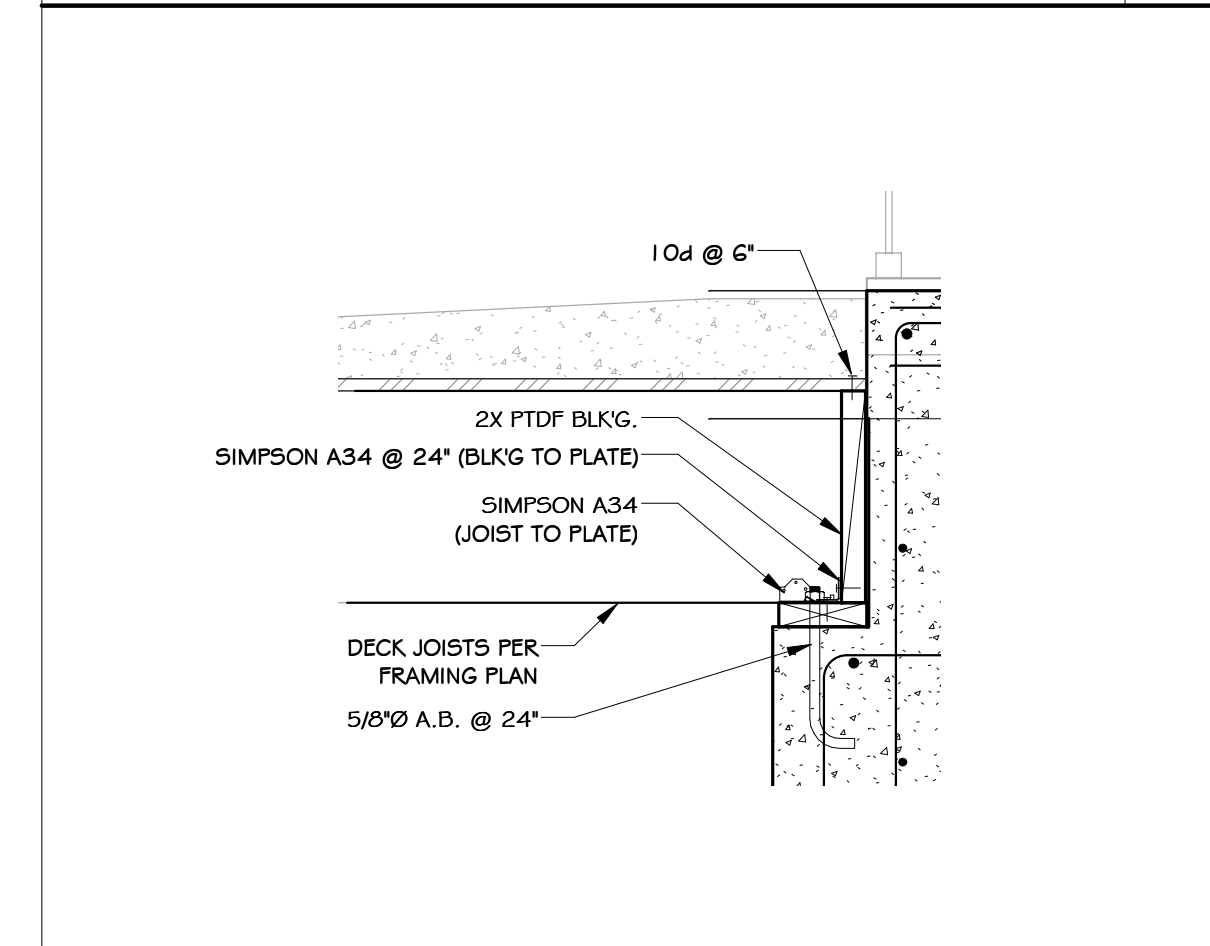
**EDGE BEAM DETAIL**  
 SCALE: 1" = 1'-0"



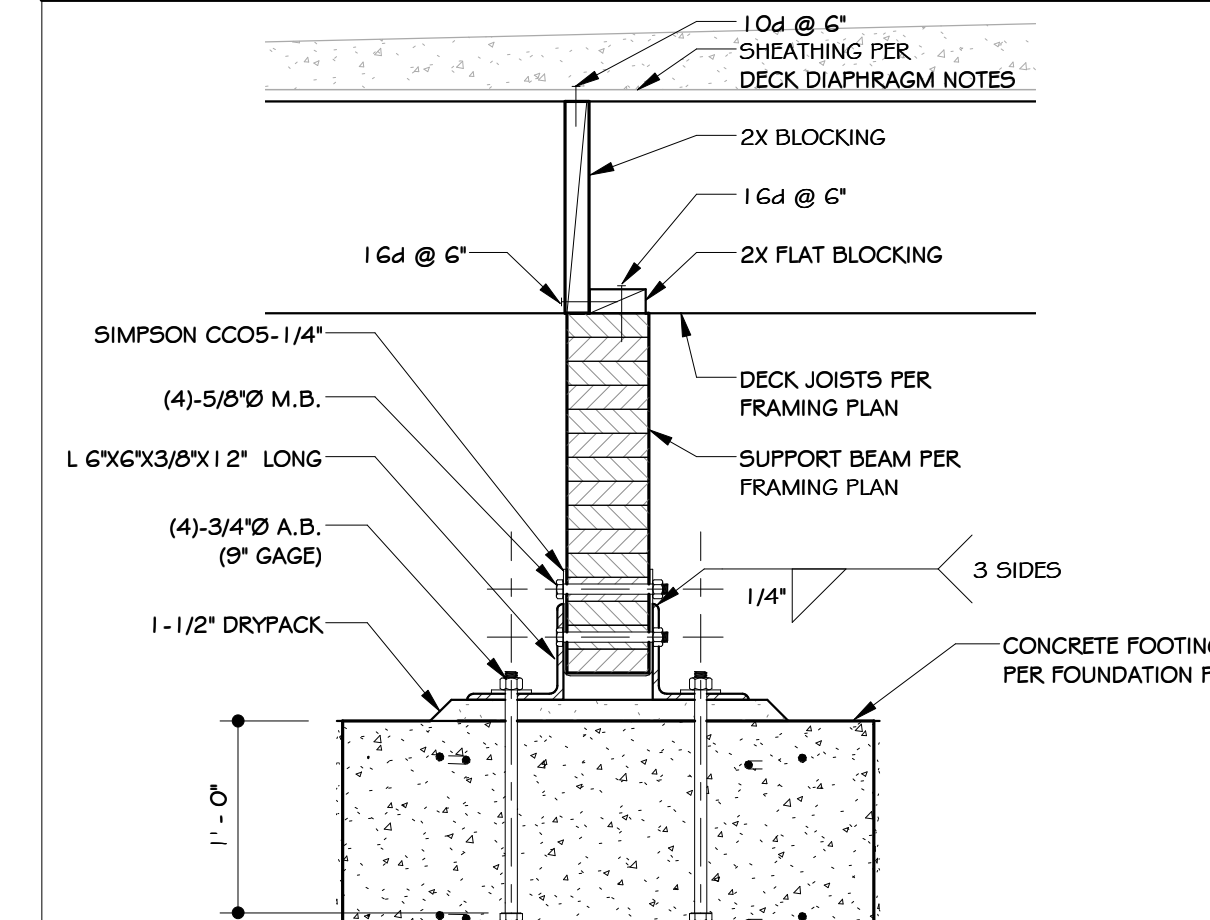
**FOUNDATION PLAN**  
 SCALE: 1/4" = 1'-0"



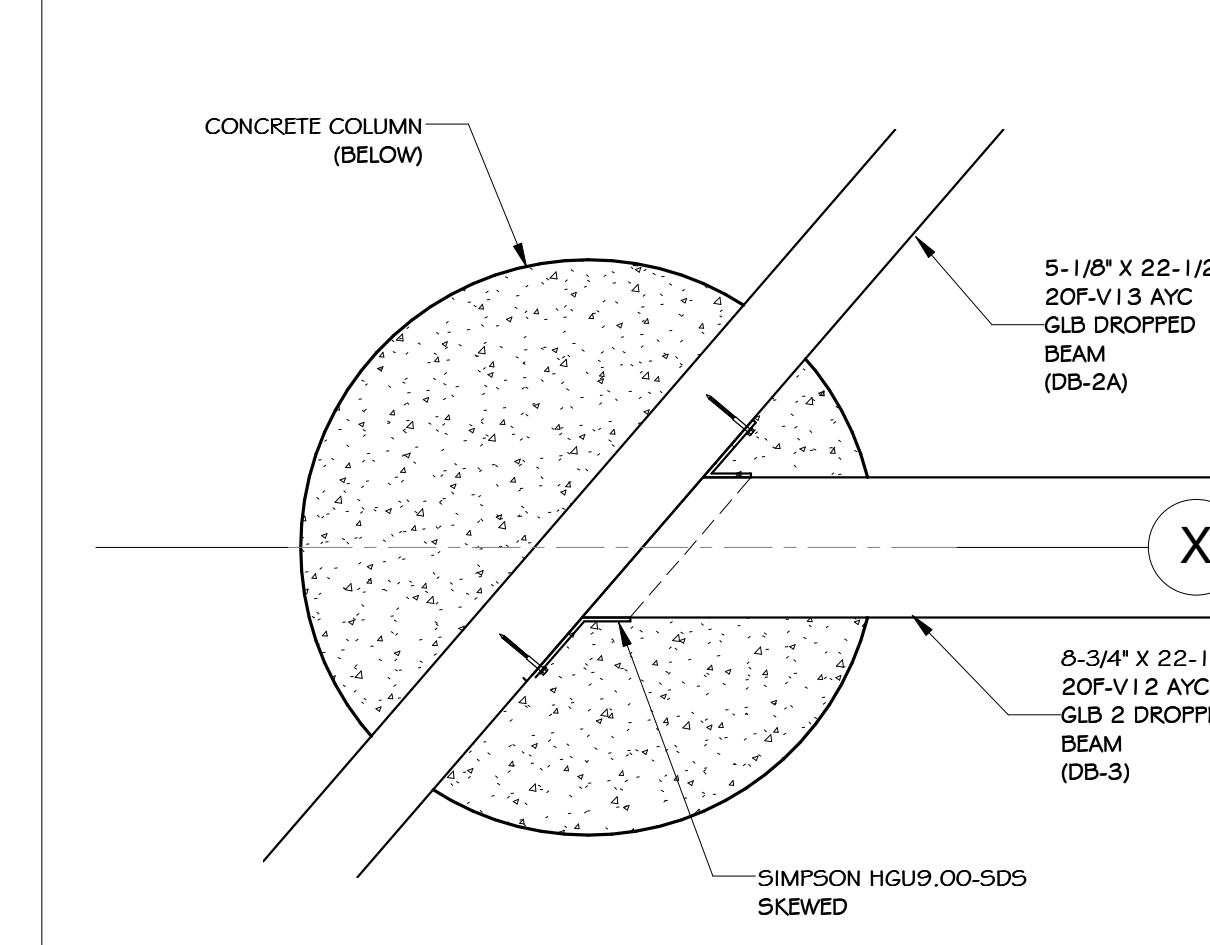
**WING WALL DETAIL**  
 SCALE: 1/2" = 1'-0"



**DECK CONNECTION DETAIL**  
 SCALE: 1" = 1'-0"



**GIRDER CONNECTION DETAIL**  
 SCALE: 1" = 1'-0"



**DB-3 CONNECTION**  
 SCALE: 1" = 1'-0"