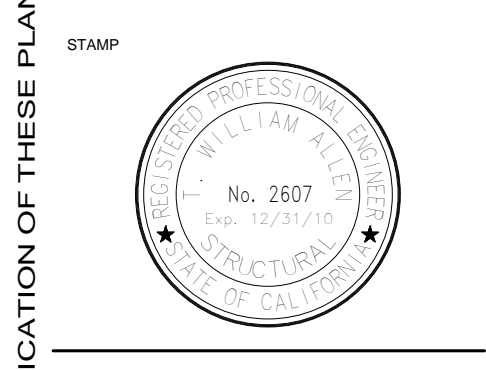


Pearcy Live/Work Facility
 4068 10th St.
 Riverside, CA

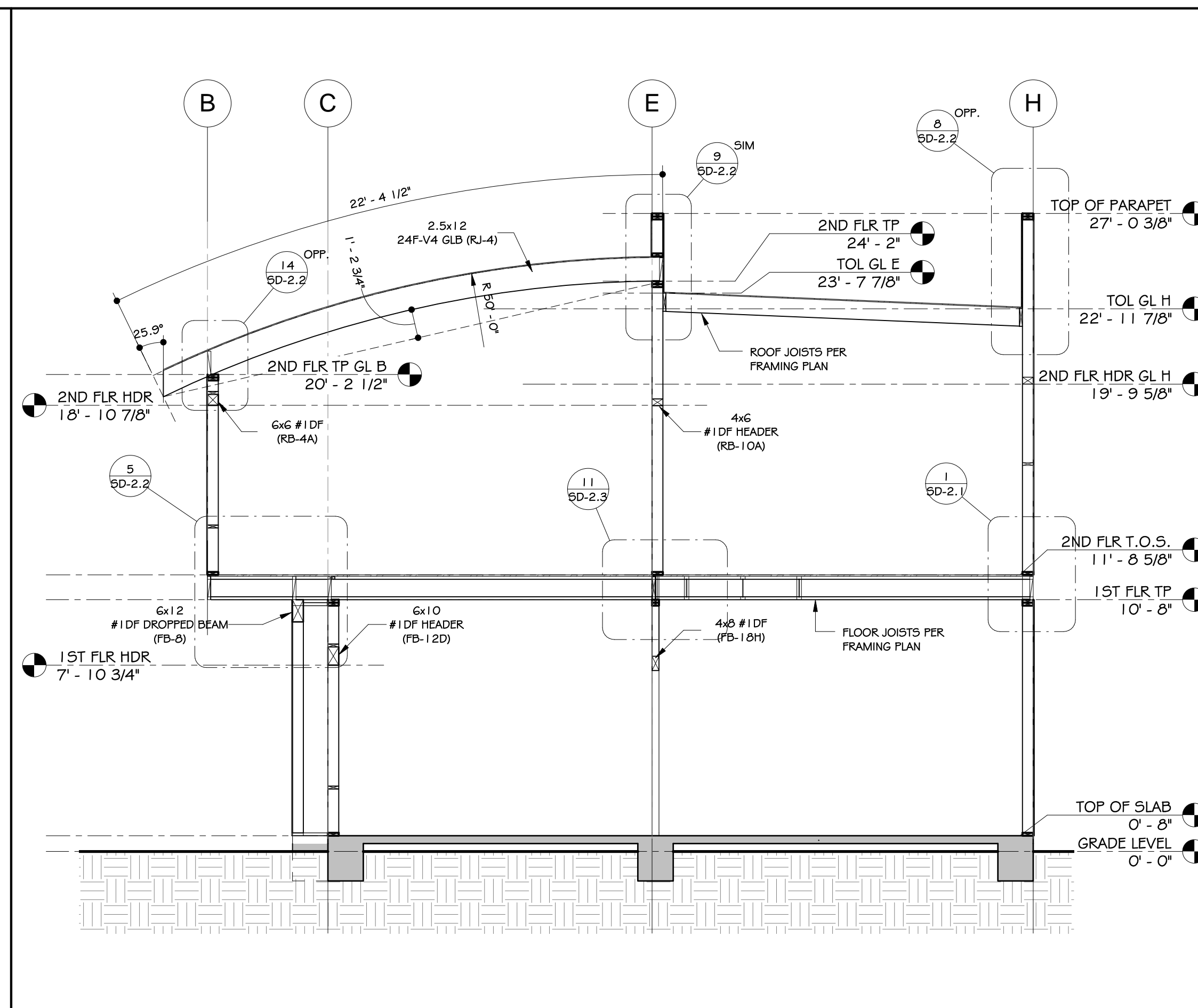
REVISION SCHEDULE		
NO.	DESC.	DATE
BD	RESUBMITTAL	08/03/10



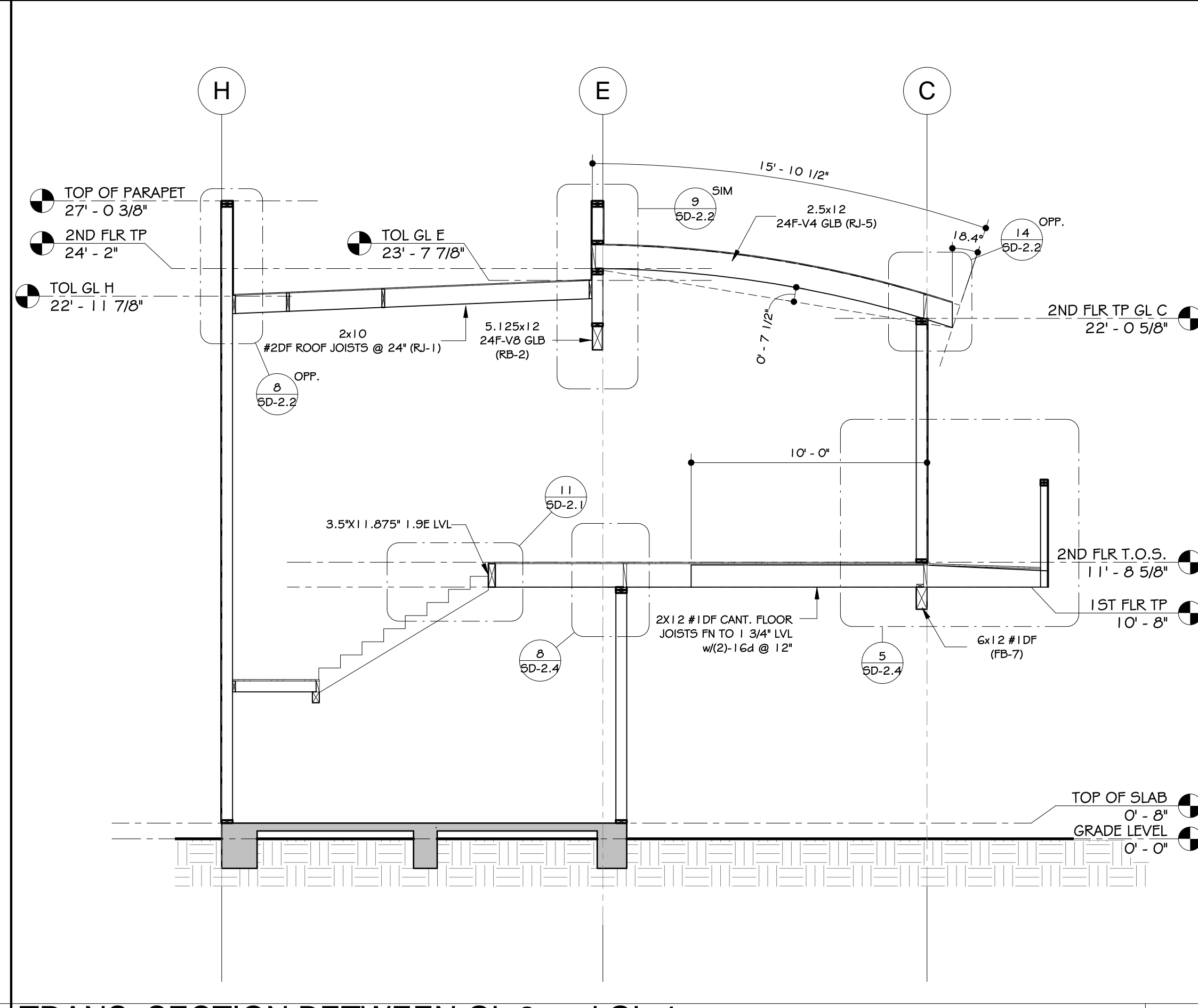
FRAMING ELEVATIONS and SECTIONS
 DRAWN BY BA
 CHECKED BY TWA
 PROJECT # 20921
 Building Dept. Resubmittal

S-5.1

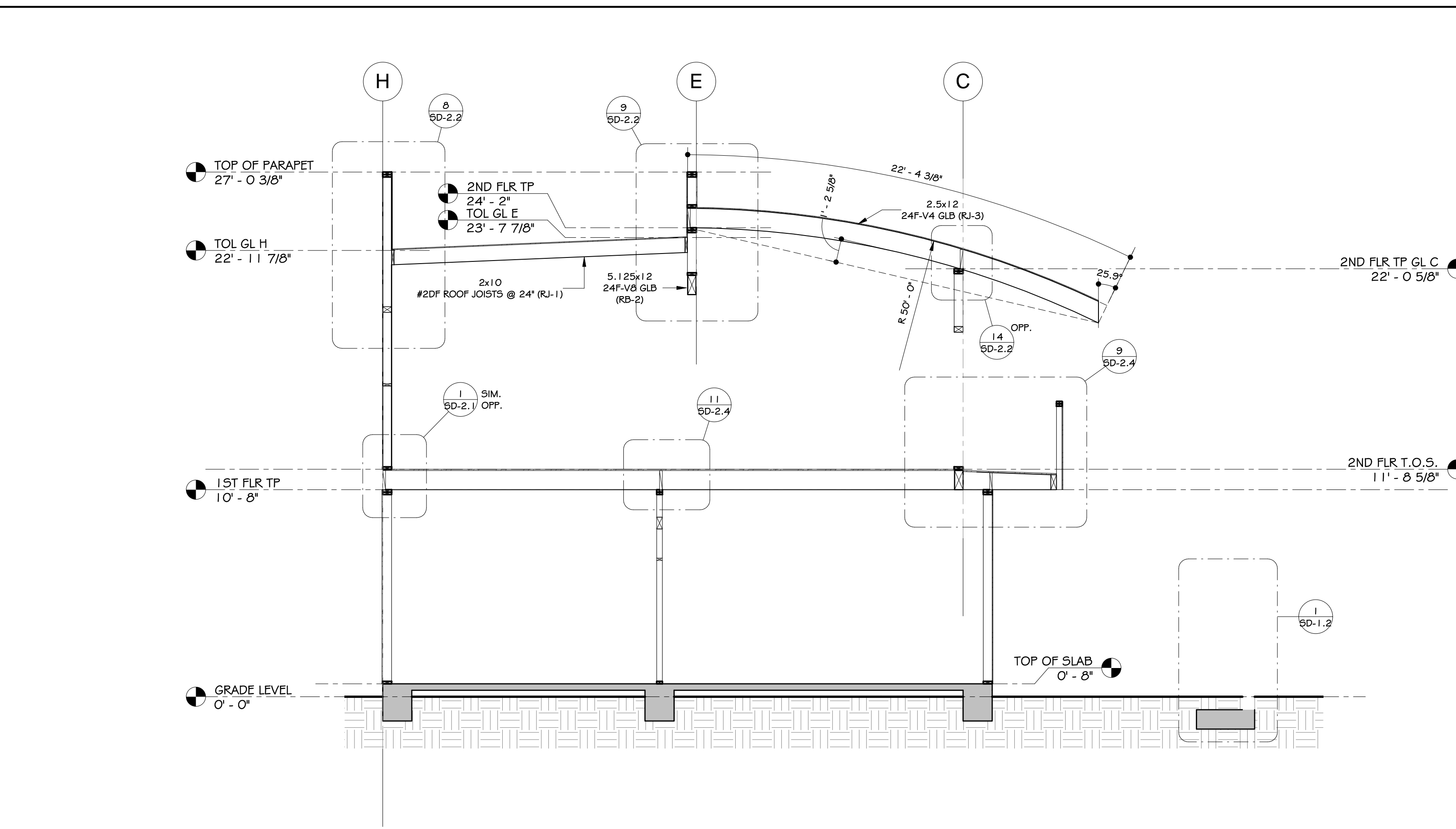
© 2009, ALLEN DESIGNS, THE USE AND PUBLICATION OF THESE PLANS AND DETAILS SHALL BE RESTRICTED TO THE ORIGINAL SITE FOR WHICH THEY WERE PREPARED. USE WITHOUT WRITTEN CONSENT OF ALLEN DESIGNS IS PROHIBITED.



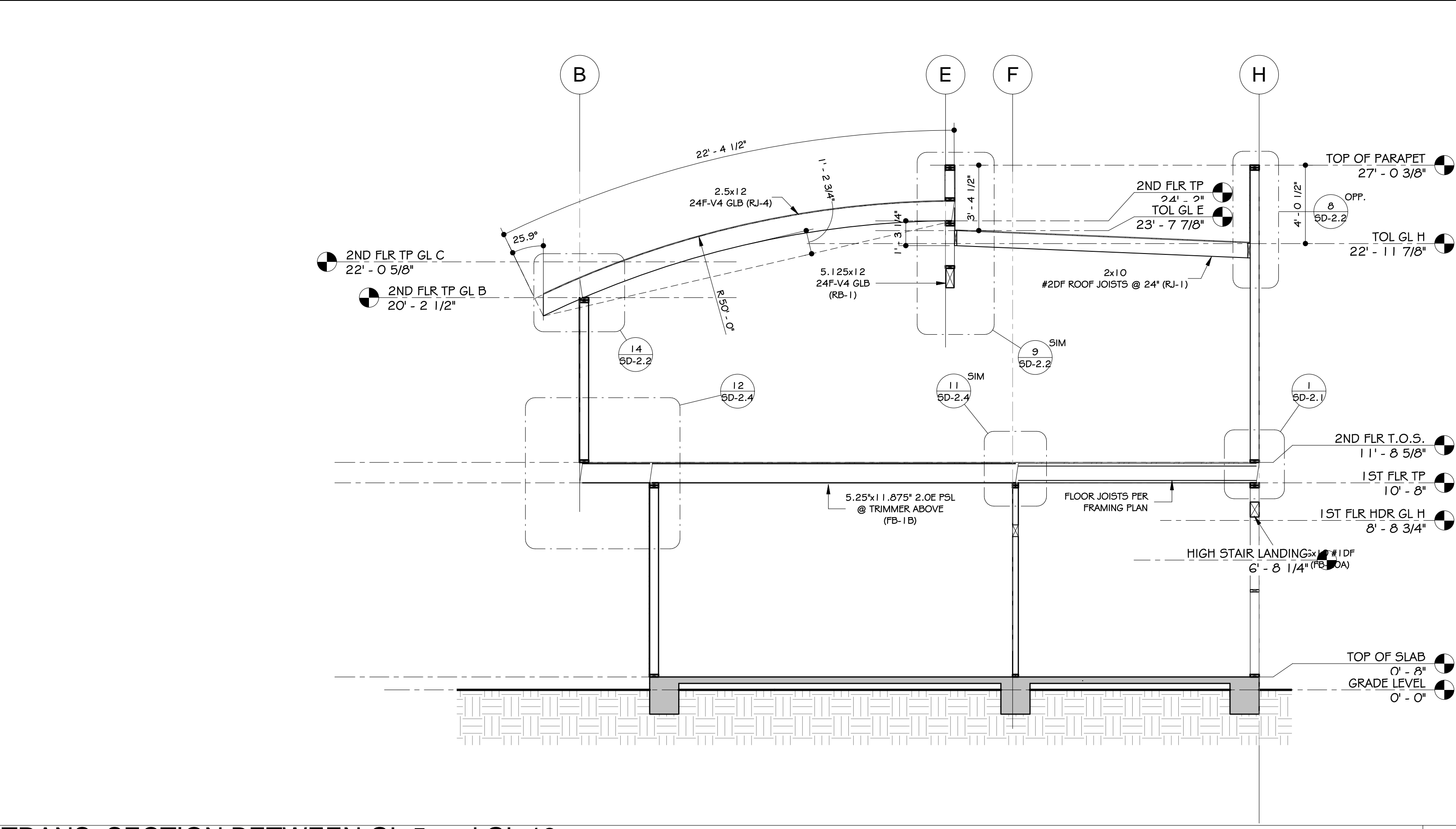
1 TRANSVERSE SECTION
 SCALE: 1/4" = 1'-0"



2 TRANS. SECTION BETWEEN GL 2 and GL 4
 SCALE: 1/4" = 1'-0"



3 TRANS. SECTION BETWEEN GL 4 and GL 5
 SCALE: 1/4" = 1'-0"



4 TRANS. SECTION BETWEEN GL 5 and GL 13
 SCALE: 1/4" = 1'-0"