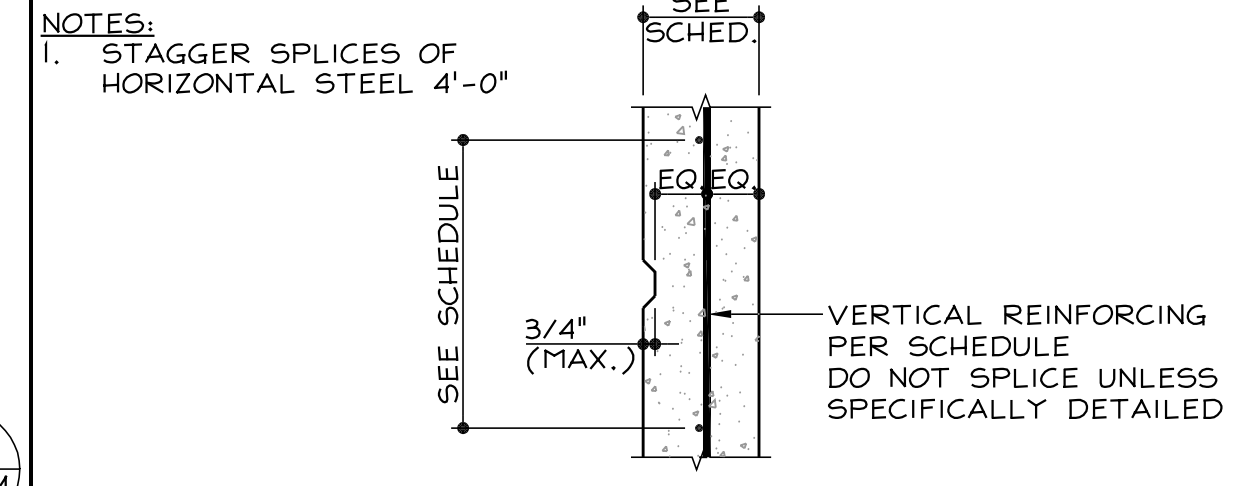


**SITE WALL PANEL REINFORCING SCHEDULE:**

MARK	PANEL THICKNESS	VERTICAL REINFORCEMENT	HORIZONTAL REINFORCEMENT	F'c @ 28 DAYS
⑦	5-1/2"	#5 @ 15"	#4 @ 18"	3,500 psi
⑨	5-1/2"	#5 @ 12"	#4 @ 18"	3,500 psi
⑪	5-1/2"	#5 @ 10"	#4 @ 18"	3,500 psi



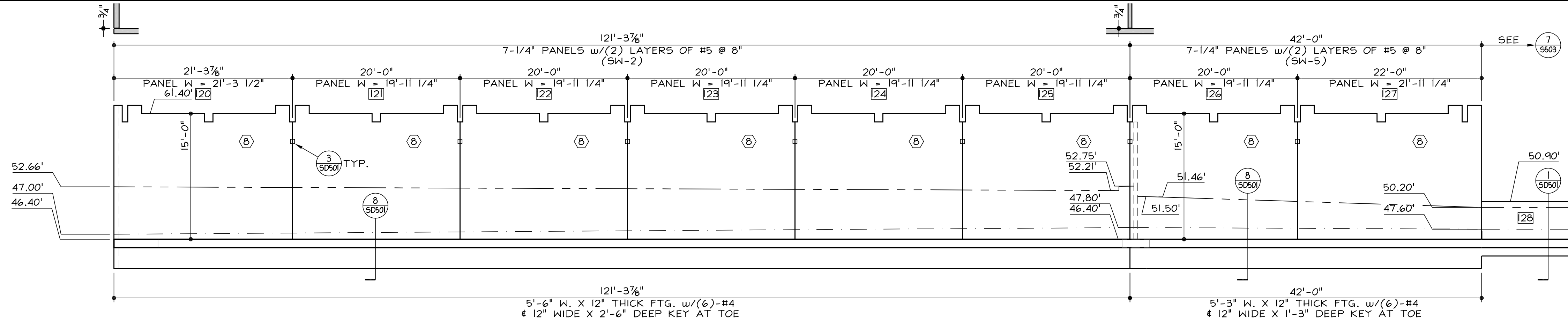
Prepared for:

190 MEADOW LAND  
GLENWOOD SPRINGS, CO 81601  
888 . 788 . 3972  
FACSIMILE 888 . 788 . 3972  
email: TIM@OP-ART.COM  
url: WWW.OP-ART.COM

**PARTIAL WALL ELEVATION**  
SCALE: 1/8"=1'-0"

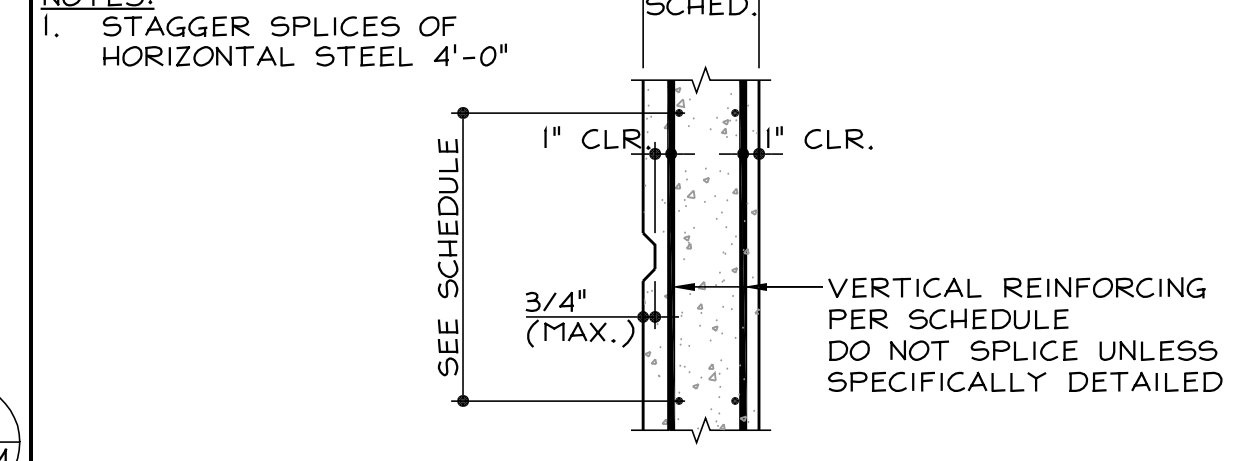
**WALL ELEVATION**  
SCALE: 1/8"=1'-0"

**1 SITE WALL PANEL REINF.**  
SCALE: 1"=1'-0"



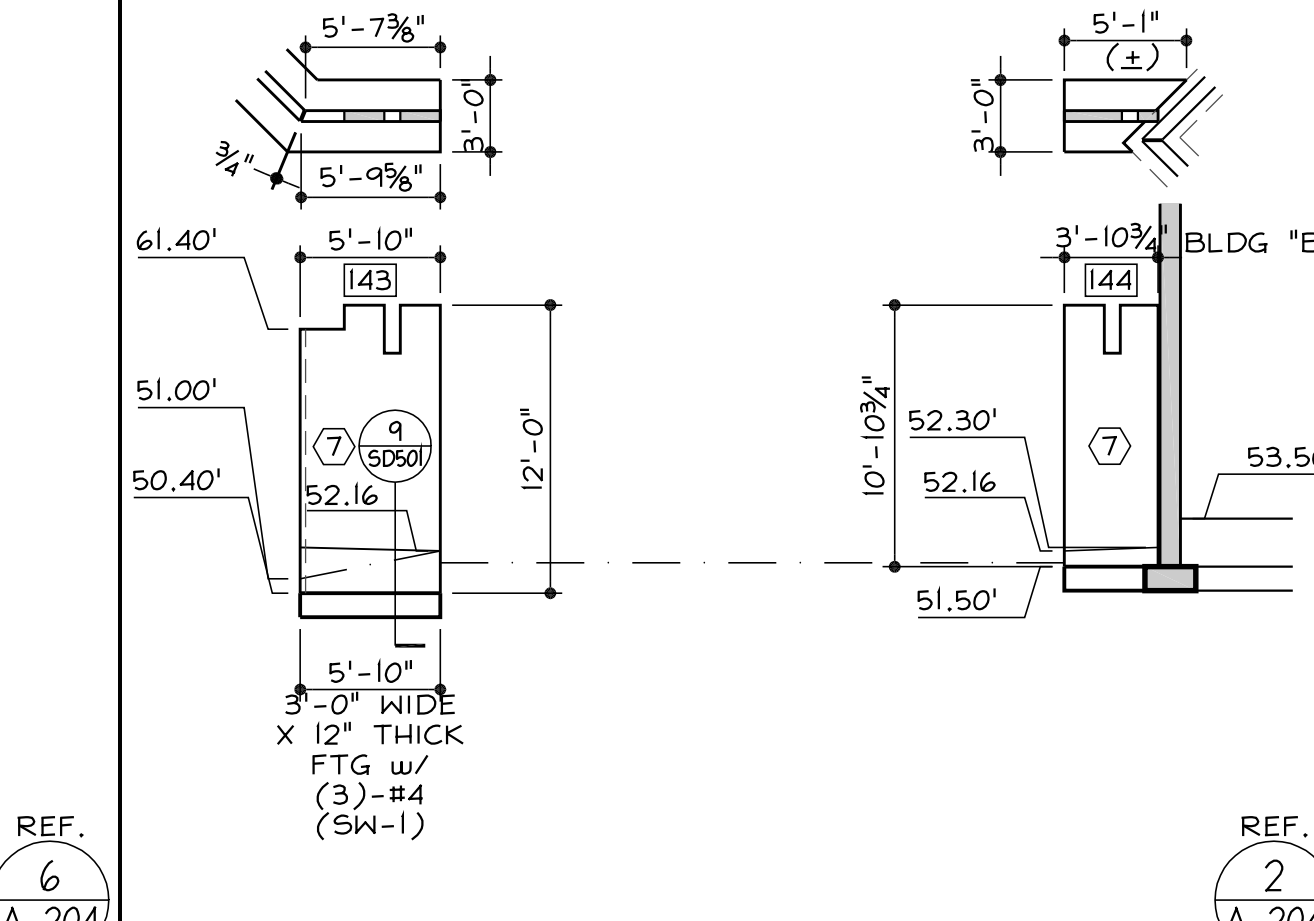
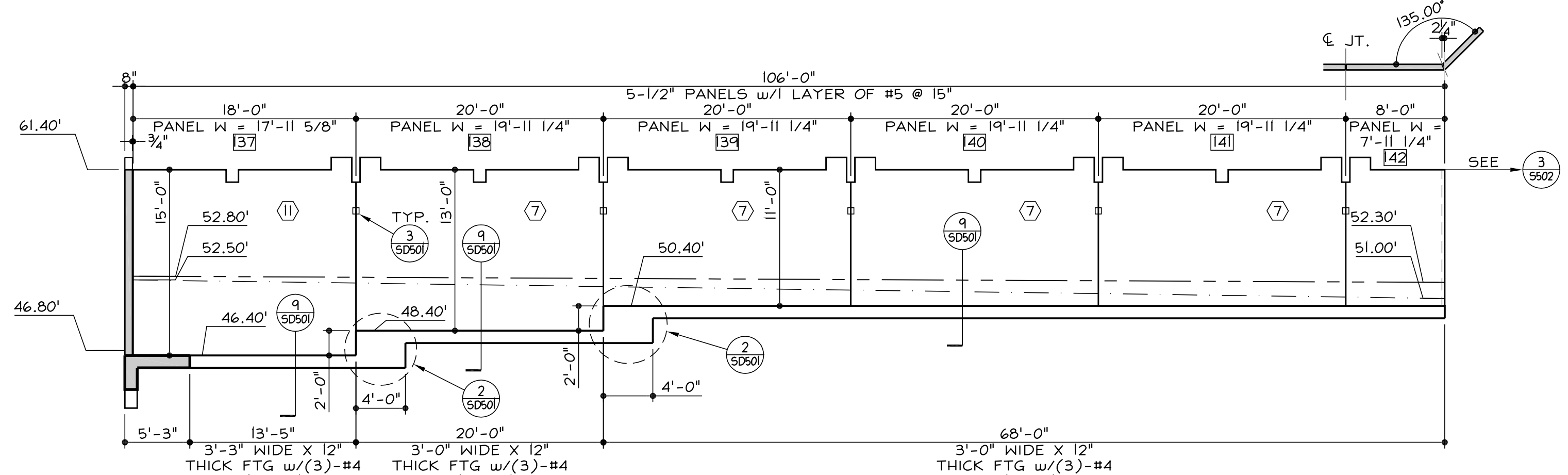
**SITE WALL PANEL REINFORCING SCHEDULE:**

MARK	PANEL THICKNESS	VERTICAL REINFORCEMENT	HORIZONTAL REINFORCEMENT	F'c @ 28 DAYS
⑥	7-1/4"	#5 @ 12" E.F.	#4 @ 18" E.F.	3,500 psi
⑧	7-1/4"	#5 @ 8" E.F.	#4 @ 18" E.F.	3,500 psi



**WALL ELEVATION**  
SCALE: 1/8"=1'-0"

**2 SITE WALL PANEL REINF.**  
SCALE: 1"=1'-0"



**SITE WALL PANEL NOTES:**

④⑩ INDICATES PANEL NUMBER  
⑦ INDICATES REFERENCE TO TYPICAL REINFORCING AND PANEL THICKNESS DETAIL PER SCHEDULE BELOW:

MARK	DETAIL
⑦(ODD)	①
⑧(EVEN)	②

SEE ARCHITECTURAL DRAWINGS FOR LOCATION OF REVEALS, RECESSES (3/4" MAX. DEPTH) AND DIMENSIONS OF OTHER ARCHITECTURAL FEATURES.

PANEL W = PANEL WIDTH  
--- GRADE LINE, FAR SIDE  
- - - GRADE LINE, NEAR SIDE  
SW-"x" REFERS TO SITE WALL DESIGN IN STRUCTURAL CALCULATIONS.

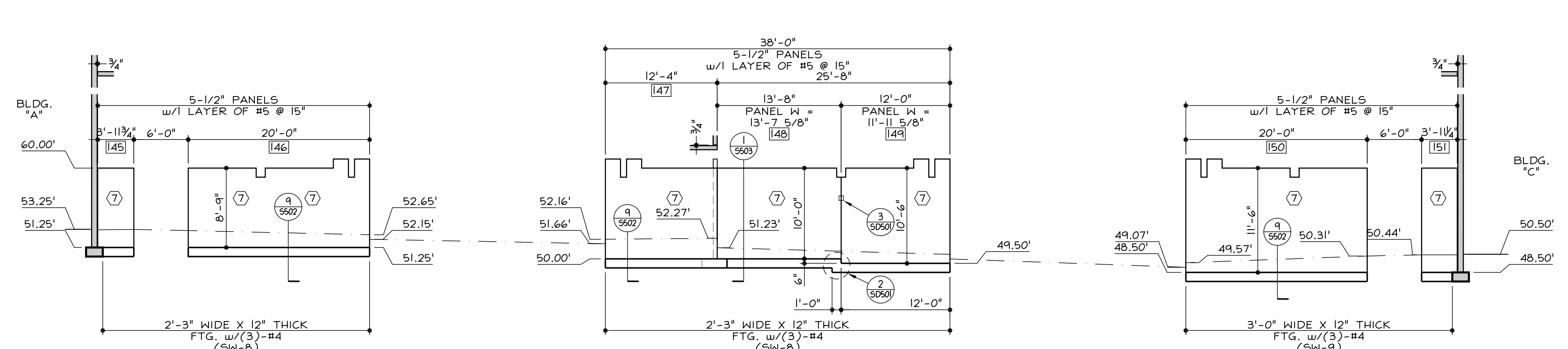
NOTE:  
CONTRACTOR SHALL VERIFY GRADES SHOWN ON THESE DRAWINGS AND REPORT DISCREPANCIES WITH CIVIL DRAWINGS TO STRUCTURAL ENGINEER PRIOR TO PROCEEDING WITH THE WORK. ACCURACY OF GRADES SHALL NOT BE THE RESPONSIBILITY OF ALLEN DESIGNS.

3/4" PANEL JOINTS (UNO)

**WALL ELEVATION**  
SCALE: 1/8"=1'-0"

**5 WALL ELEVATION**  
SCALE: 1/8"=1'-0"

**3**



**4**

**WALL ELEVATION**  
SCALE: 1/8"=1'-0"

REVISIONS

NO.	DATE	DESCRIPTION
1	05/20/05	BD RESUBMITTAL
2	11/21/05	REVISED PANELS
3	11/29/05	EPOXY ANCHORS
4	01/11/06	SITE WALLS

**COMMERCE CENTER BUILDINGS**  
COMMERCE CENTER DRIVE  
MORENO VALLEY, CA 92553

by: **ALLEN DESIGNS**  
Consulting Structural Engineers  
31478 Del Obispo, Suite 118-513  
San Juan Capistrano, CA 92675  
V (949) 248-8588  
F (949) 209-2509  
© 2005, ALLEN DESIGNS

DRAWING INFO.

**SITE WALL ELEVATIONS**

JOB No. AD#20501  
DRAWN BA  
DATE 04/15/05  
CHECKED TWA

SHEET No.

**S502**

© 2005, ALLEN DESIGNS. THE USE AND PUBLICATION OF THESE PLANS AND DETAILS SHALL BE RESTRICTED TO THE ORIGINAL SITE FOR WHICH THEY WERE PREPARED. USE WITHOUT WRITTEN CONSENT OF ALLEN DESIGNS IS PROHIBITED.