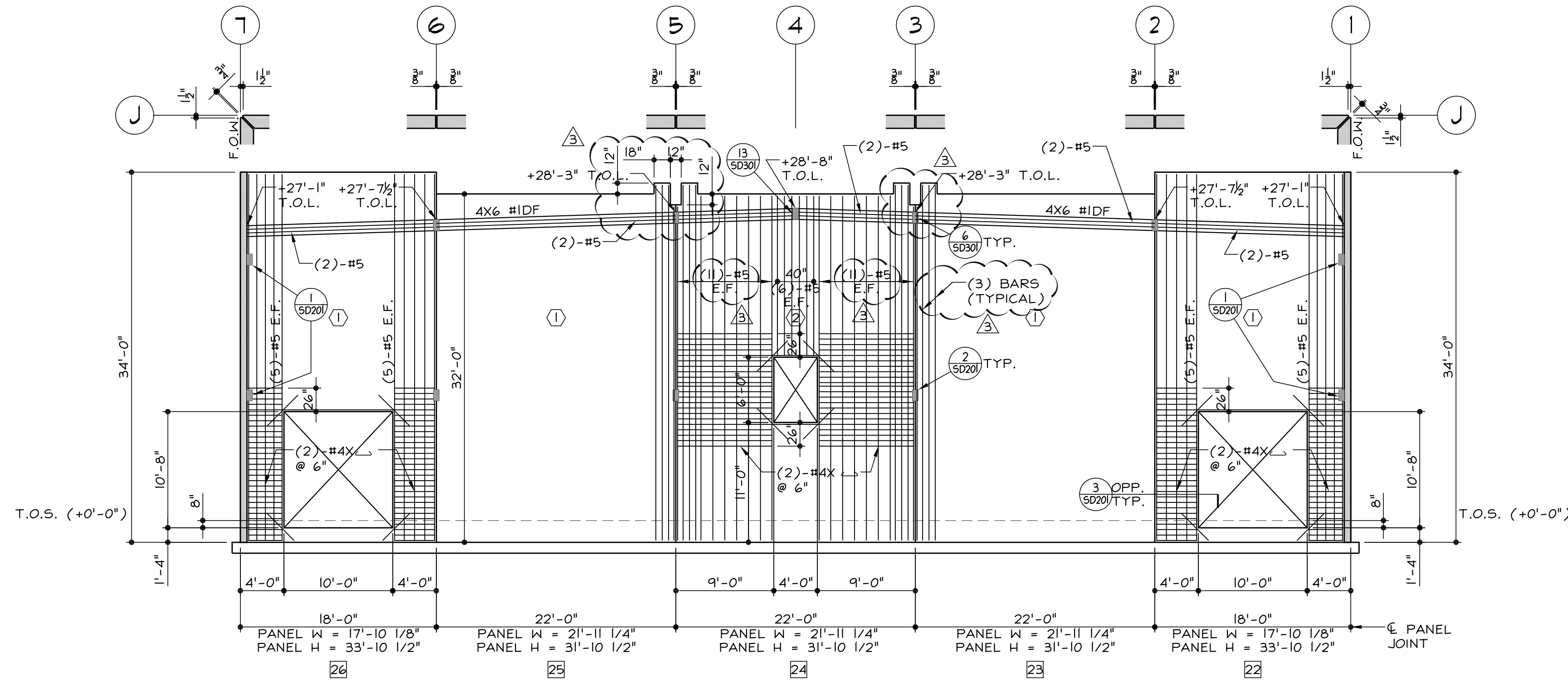


PANEL ELEVATION GRID LINE A - BUILDING C

SCALE: 1/8"=1'-0"



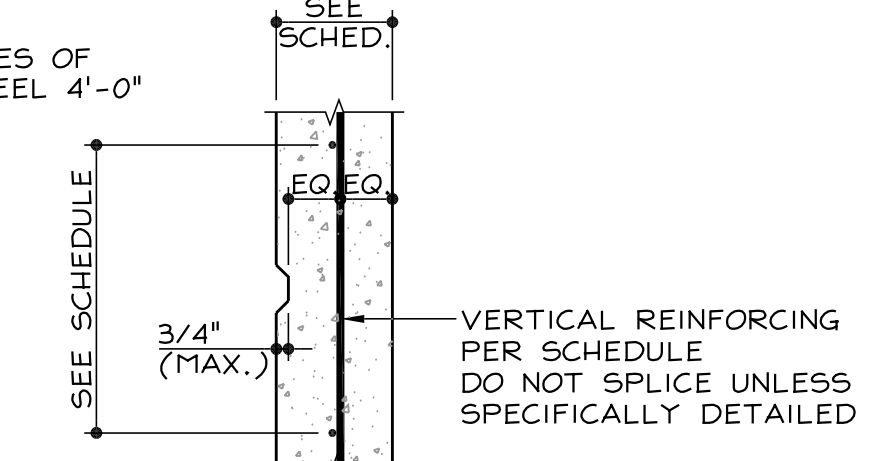
PANEL ELEVATION GRID LINE J - BUILDING C

SCALE: 1/8"=1'-0"

TILT-UP PANEL REINFORCING SCHEDULE:

MARK	PANEL THICKNESS	VERTICAL REINFORCEMENT	HORIZONTAL REINFORCEMENT	F _c @ 28 DAYS
①	7-1/4"	#5 @ 8"	#4 @ 18"	3,500 psi
③	7-1/4"	#5 @ 7"	#4 @ 18"	3,500 psi
⑤	7-1/4"	#5 @ 15"	#4 @ 18"	3,500 psi

NOTES:
1. STAGGER SPLICES OF HORIZONTAL STEEL 4'-0"



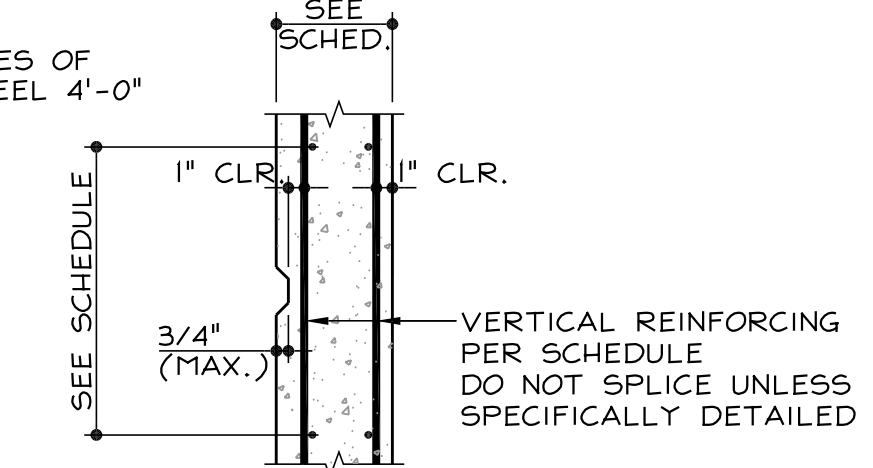
TILT-UP PANEL REINF.

SCALE: 1"=1'-0"

TILT-UP PANEL REINFORCING SCHEDULE:

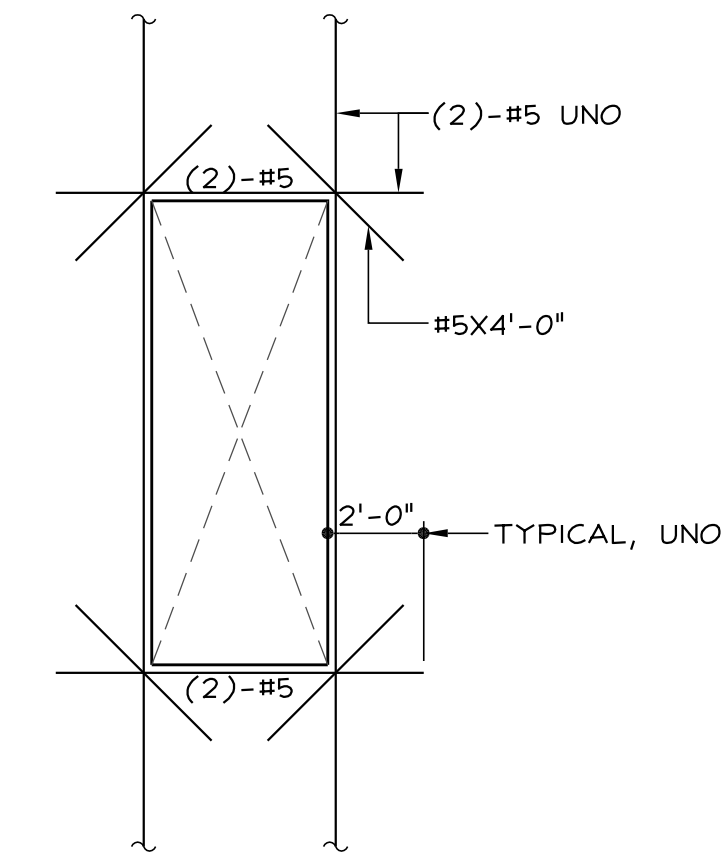
MARK	PANEL THICKNESS	VERTICAL REINFORCEMENT	HORIZONTAL REINFORCEMENT	F _c @ 28 DAYS
②	7-1/4"	#5 @ 15" E.F.	#4 @ 18" E.F.	3,500 psi

NOTES:
1. STAGGER SPLICES OF HORIZONTAL STEEL 4'-0"



TILT-UP PANEL REINF.

SCALE: 1"=1'-0"



WALL REINFORCING DETAIL

SCALE: 1/4"=1'-0"

TILT WALL PANEL NOTES:

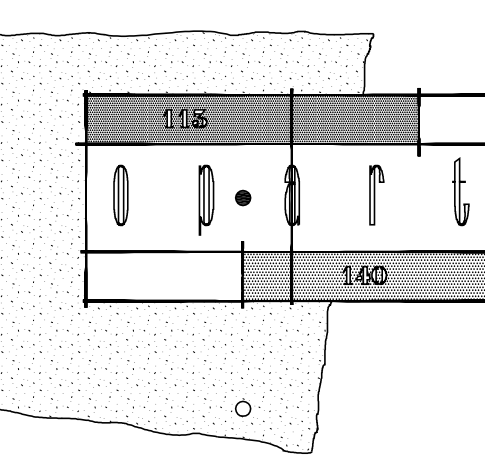
- INDICATES PANEL NUMBER
- ① INDICATES REFERENCE TO TYPICAL REINFORCING AND PANEL THICKNESS DETAIL PER SCHEDULE BELOW:

MARK	DETAIL
①	①
③	②

SEE ARCHITECTURAL DRAWINGS FOR LOCATION OF REVEALS AND DIMENSIONS OF RECESSES (3/4" MAX. DEPTH).

- T.O.C. TOP OF CHANNEL
- T.O.L. TOP OF LEDGER
- T.O.S. TOP OF SLAB
- F.O.W. FACE OF WALL
- PANEL W PANEL WIDTH
- PANEL H PANEL HEIGHT

Prepared for:



190 MEADOW LAND
GLENWOOD SPRINGS, CO
81601
888 . 788 . 3972
FACSIMILE
888 . 788 . 3972
email: TIM@OP-ART.COM
url: WWW.OP-ART.COM

REVISIONS

- 05/20/05 BD RESUBMITTAL
- 11/21/05 REVISED PANELS

COMMERCIAL CENTER INDUSTRIAL BUILDINGS

COMMERCIAL CENTER DRIVE
MORENO VALLEY, CA 92553

ALLEN DESIGNS
Consulting Structural Engineers
31879 Dal Cir, Suite 118, 513
San Juan Capistrano, CA 92675
V (949) 248-6500
F (949) 248-2500

© 2005, ALLEN DESIGNS



DRAWING INFO.

PANEL ELEVATIONS BUILDING C

JOB No. AD#20501
DRAWN BA
DATE 04/15/05
CHECKED TWA

SCALE: 1/8"=1'-0"

SHEET No.

S406

© 2005, ALLEN DESIGNS. THE USE AND PUBLICATION OF THESE PLANS AND DETAILS SHALL BE RESTRICTED TO THE ORIGINAL SITE FOR WHICH THEY WERE PREPARED. USE WITHOUT WRITTEN CONSENT OF ALLEN DESIGNS IS PROHIBITED.