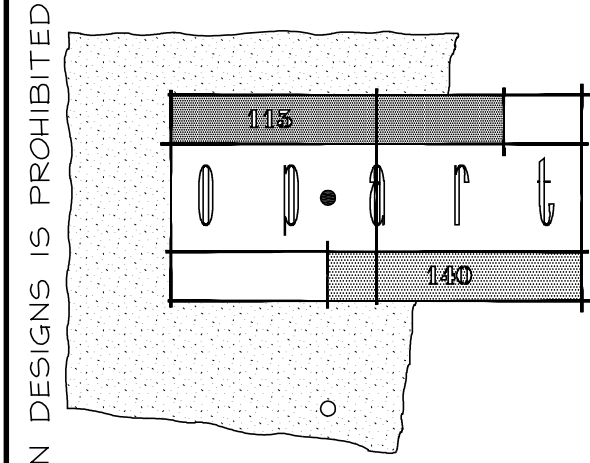


Prepared for:



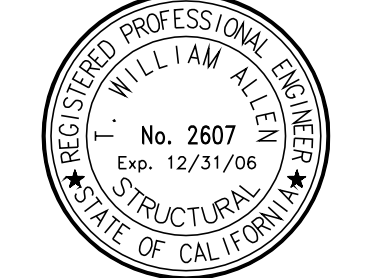
190 MEADOW LAND
GLENWOOD SPRINGS, CO
81601
888 . 788 . 3972
FACSIMILE
888 . 788 . 3972
email: TIM@OP-ART.COM
url: WWW.OP-ART.COM

REVISIONS

05/20/05 BD_RESUBMITTAL
11/21/05 REVISED PANELS

COMMERCE CENTER INDUSTRIAL BUILDINGS
 COMMERCIAL CENTER DRIVE
 MORENO VALLEY, CA 92553

by ALLEN DESIGNS
Consulting Structural Engineers
3118781 Dal Cir, Suite 111B-513
San Juan Capistrano, CA 92675
V (949) 248-6569
F (949) 259-2529
© 2005, ALLEN DESIGNS



DRAWING INFO.

PANEL ELEVATIONS
BUILDING C

JOB No. AD#20501
DRAWN BA
DATE 04/15/05
CHECKED THA

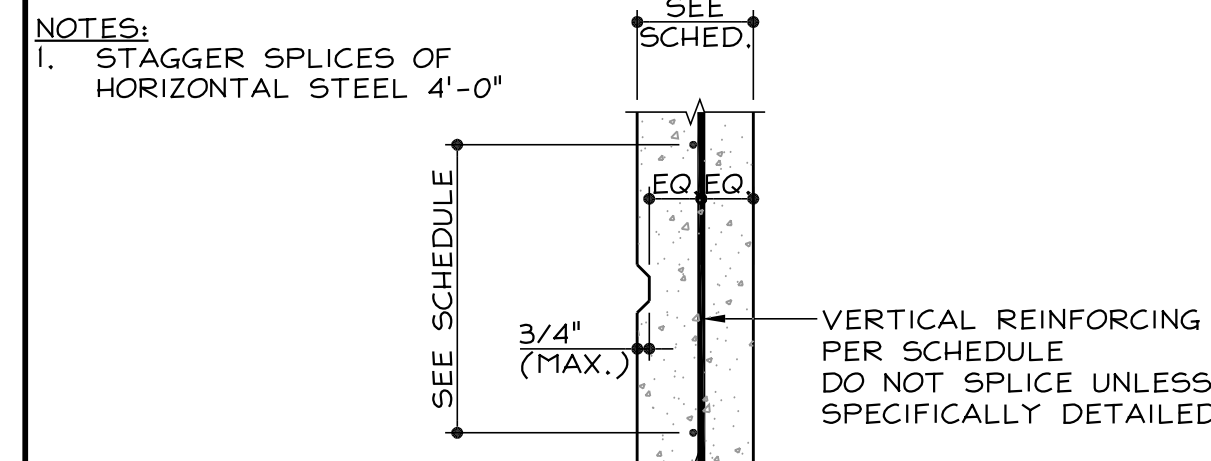
SCALE: 1/8"=1'-0"

SHEET No.

6405

TILT-UP PANEL REINFORCING SCHEDULE:

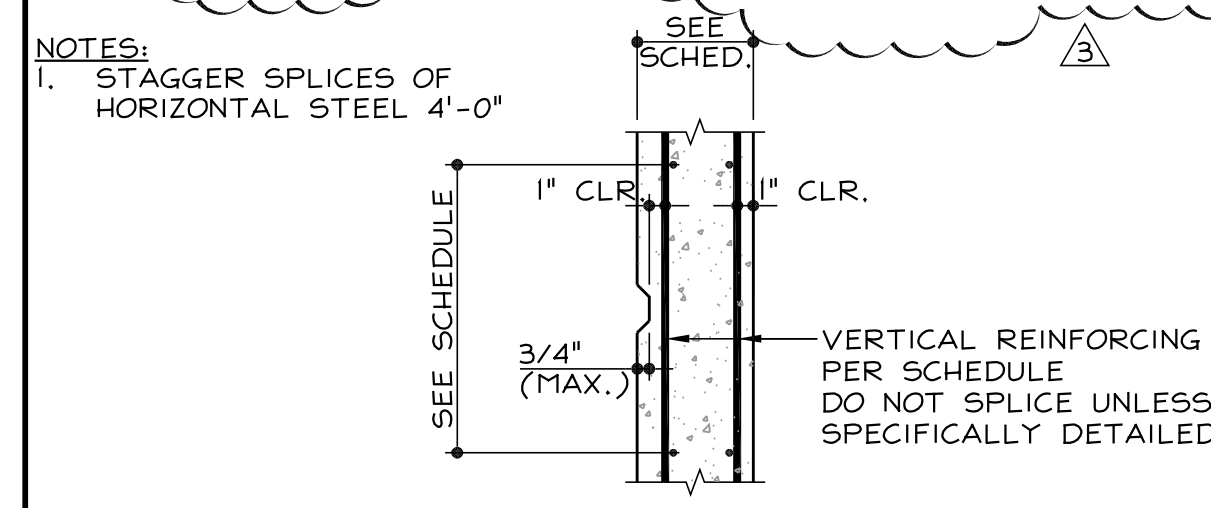
MARK	PANEL THICKNESS	VERTICAL REINFORCEMENT	HORIZONTAL REINFORCEMENT	F _c @ 28 DAYS
①	7-1/4"	#5 @ 8"	#4 @ 18"	3,500 psi
③	7-1/4"	#5 @ 7"	#4 @ 18"	3,500 psi
⑤	7-1/4"	#5 @ 15"	#4 @ 18"	3,500 psi



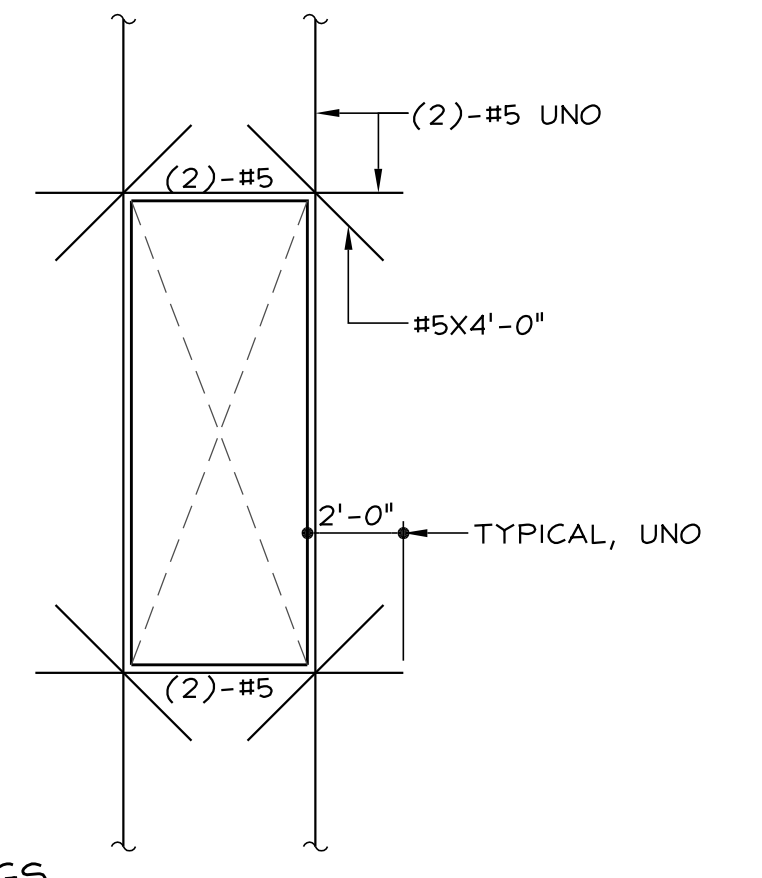
TILT-UP PANEL REINF. SCALE: 1"=1'-0"

TILT-UP PANEL REINFORCING SCHEDULE:

MARK	PANEL THICKNESS	VERTICAL REINFORCEMENT	HORIZONTAL REINFORCEMENT	F _c @ 28 DAYS
②	7-1/4"	#5 @ 15" E.F.	#4 @ 18" E.F.	3,500 psi
④	7-1/4"	#5 @ 10" E.F.	#4 @ 18" E.F.	3,500 psi



TILT-UP PANEL REINF. SCALE: 1"=1'-0"



WALL REINF. DETAIL SCALE: 1/4"=1'-0"

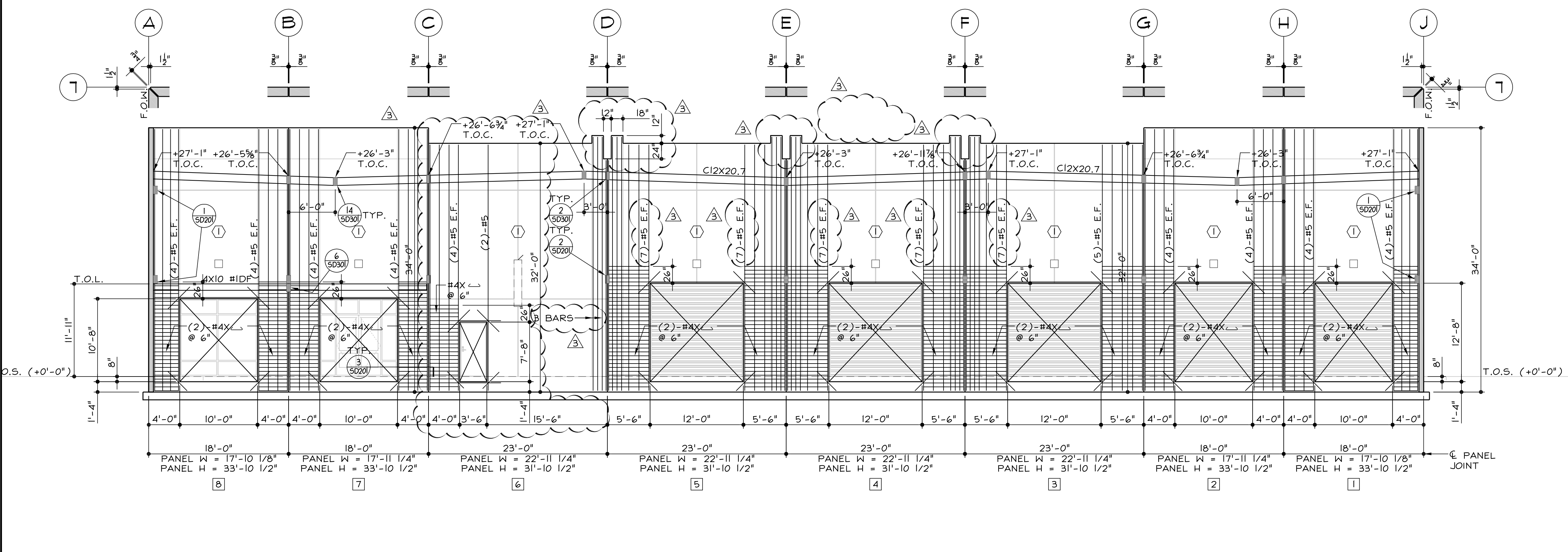
TILT WALL PANEL NOTES:

- ① INDICATES PANEL NUMBER
- ② INDICATES REFERENCE TO TYPICAL REINFORCING AND PANEL THICKNESS DETAIL PER SCHEDULE BELOW:

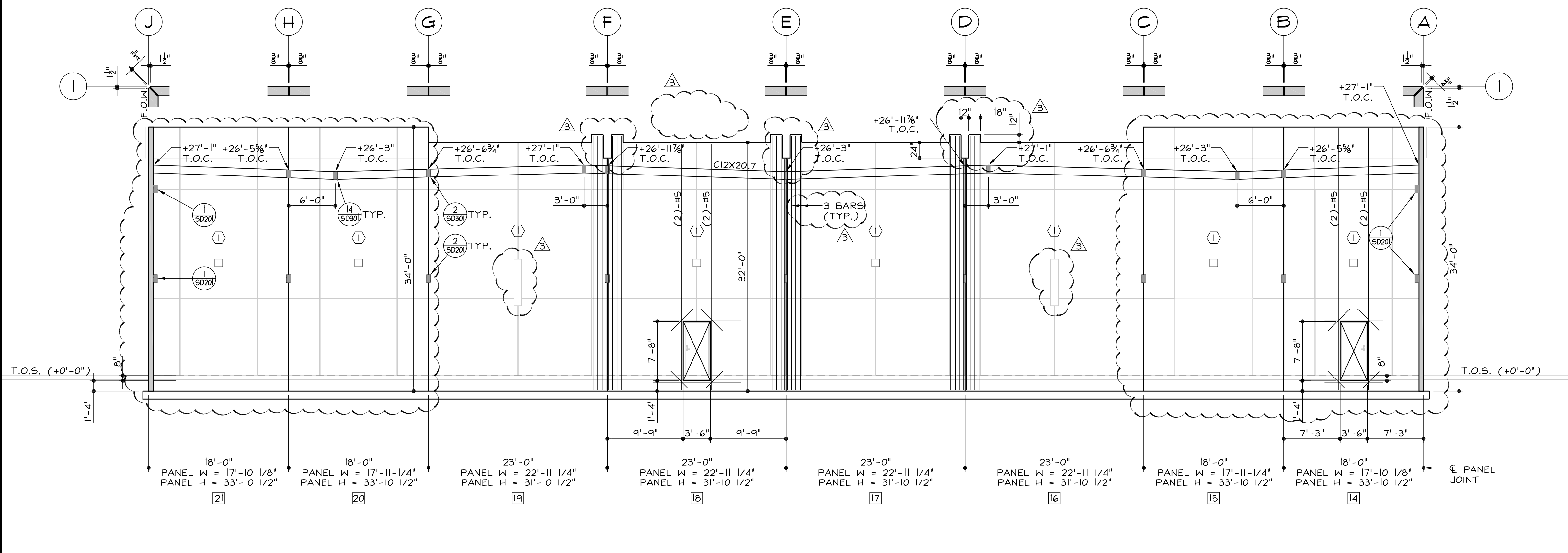
MARK	DETAIL
①	①
③	②

SEE ARCHITECTURAL DRAWINGS FOR LOCATION OF REVEALS AND DIMENSIONS OF RECESSES (3/4" MAX. DEPTH).

- T.O.C. TOP OF CHANNEL
- T.O.L. TOP OF LEDGER
- T.O.S. TOP OF SLAB
- F.O.W. FACE OF WALL
- PANEL W. PANEL WIDTH
- PANEL H. PANEL HEIGHT



PANEL ELEVATION GRID LINE 1 - BUILDING C SCALE: 1/8"=1'-0"



PANEL ELEVATION GRID LINE I - BUILDING C SCALE: 1/8"=1'-0"

THE USE AND PUBLICATION OF THESE PLANS AND DETAILS SHALL BE RESTRICTED TO THE ORIGINAL SITE FOR WHICH THEY WERE PREPARED. WITHOUT WRITTEN CONSENT OF ALLEN DESIGNS IS PROHIBITED. © 2005, ALLEN DESIGNS.