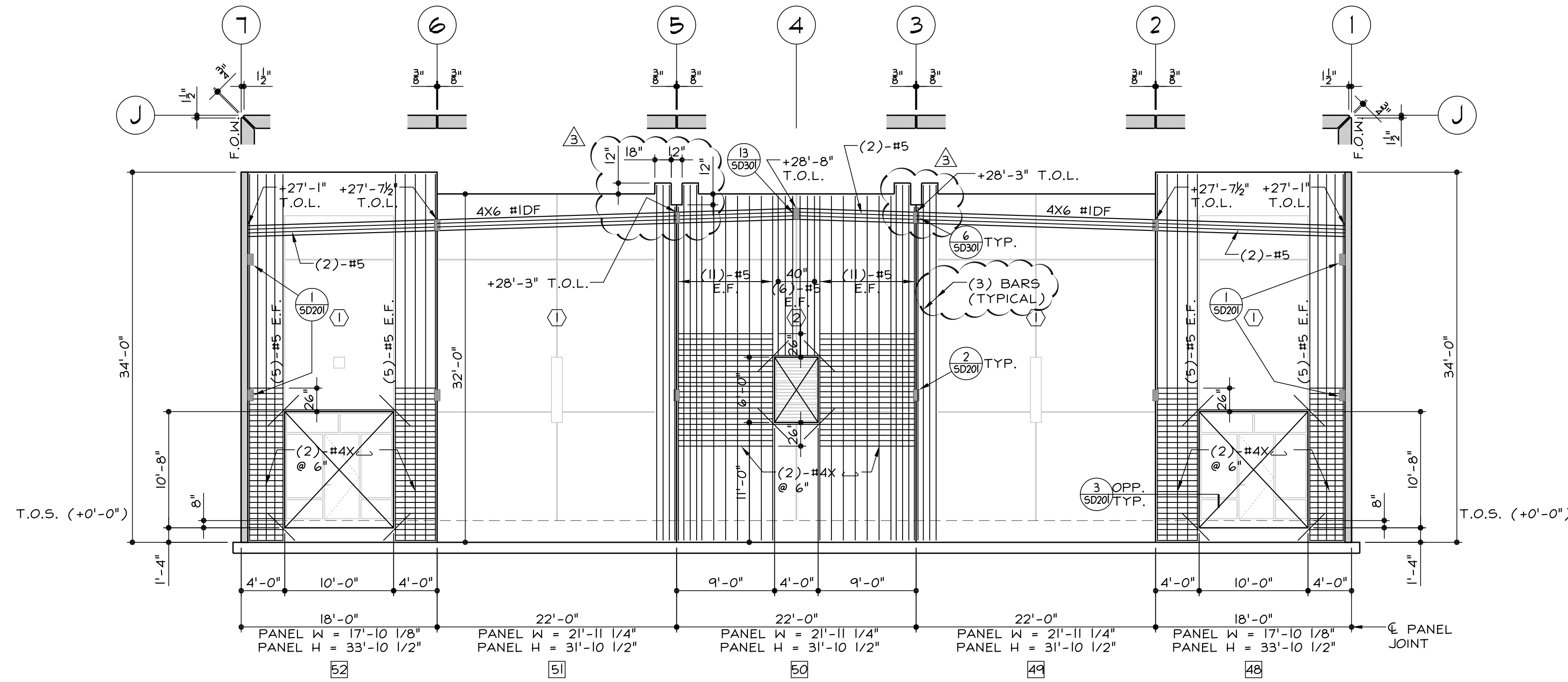


PANEL ELEVATION GRID LINE A - BUILDING A

SCALE: 1/8"=1'-0"



PANEL ELEVATION GRID LINE J - BUILDING A

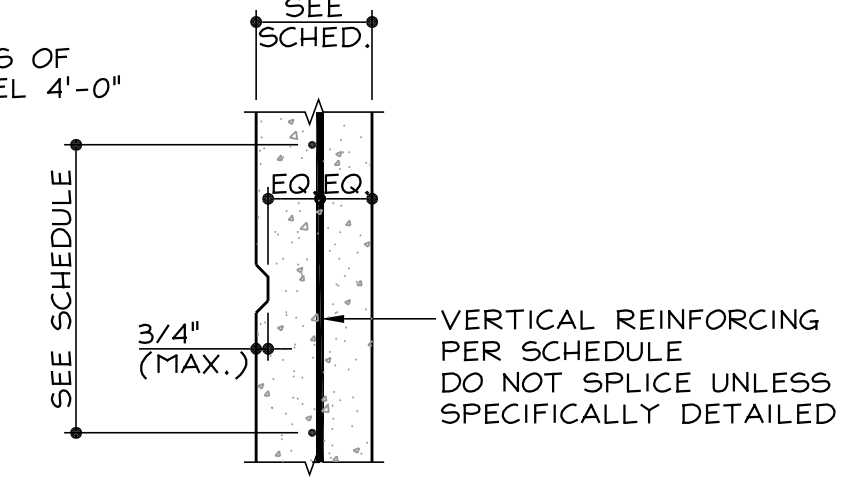
SCALE: 1/8"=1'-0"

TILT-UP PANEL REINFORCING SCHEDULE:

MARK	PANEL THICKNESS	VERTICAL REINFORCEMENT	HORIZONTAL REINFORCEMENT	F _c @ 28 DAYS
①	7-1/4"	#5 @ 8"	#4 @ 18"	3,500 psi
③	7-1/4"	#5 @ 7"	#4 @ 18"	3,500 psi
⑤	7-1/4"	#5 @ 15"	#4 @ 18"	3,500 psi

NOTES:

1. STAGGER SPLICES OF HORIZONTAL STEEL 4'-0"



TILT-UP PANEL REINF.

SCALE: 1"=1'-0"

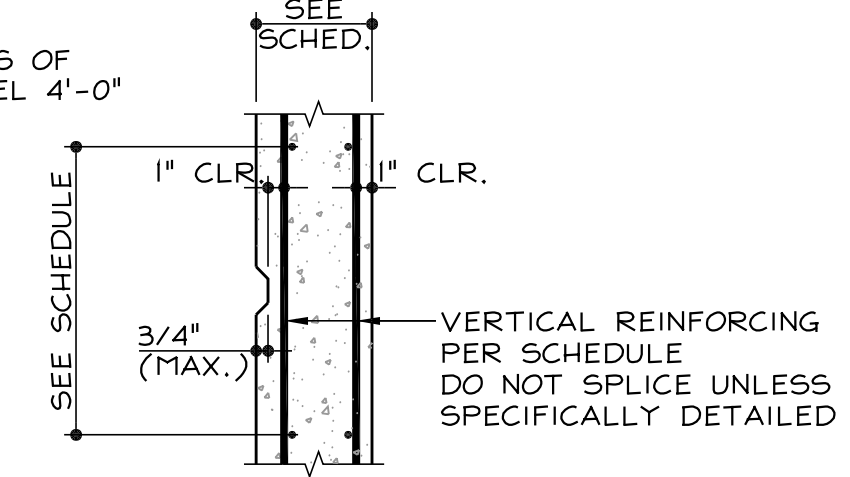
1

TILT-UP PANEL REINFORCING SCHEDULE:

MARK	PANEL THICKNESS	VERTICAL REINFORCEMENT	HORIZONTAL REINFORCEMENT	F _c @ 28 DAYS
②	7-1/4"	#5 @ 15" E.F.	#4 @ 18" E.F.	3,500 psi

NOTES:

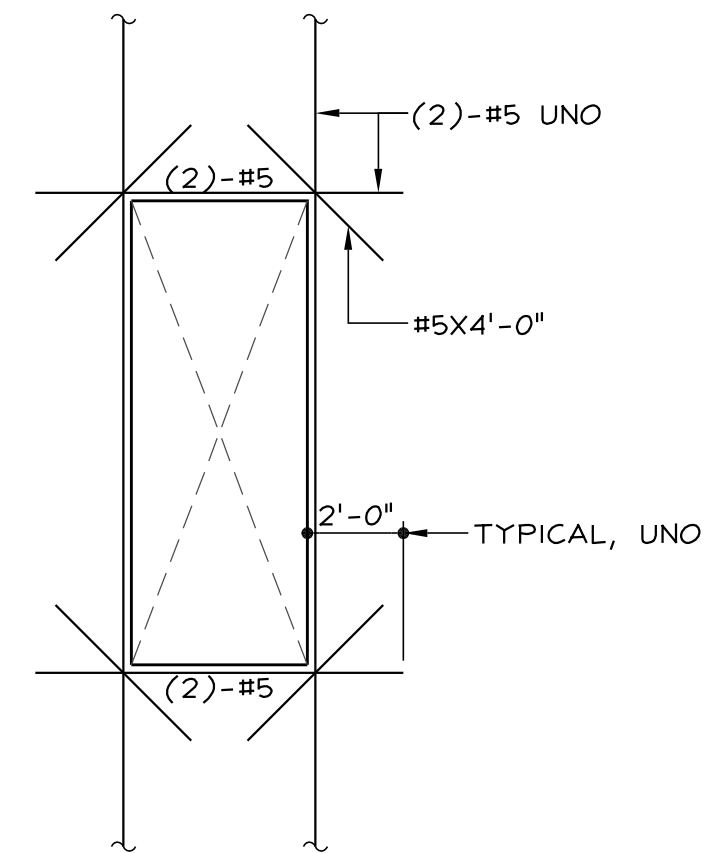
1. STAGGER SPLICES OF HORIZONTAL STEEL 4'-0"



TILT-UP PANEL REINF.

SCALE: 1"=1'-0"

2



WALL REINF. DETAIL

SCALE: 1/4"=1'-0"

3

TILT WALL PANEL NOTES:

- INDICATES PANEL NUMBER
- ① INDICATES REFERENCE TO TYPICAL REINFORCING AND PANEL THICKNESS DETAIL PER SCHEDULE BELOW:

MARK	DETAIL
①	1
②	2
③	3

SEE ARCHITECTURAL DRAWINGS FOR LOCATION OF REVEALS AND DIMENSIONS OF RECESSES (3/4" MAX. DEPTH).

- T.O.C. TOP OF CHANNEL
- T.O.L. TOP OF LEDGER
- T.O.S. TOP OF SLAB
- F.O.W. FACE OF WALL
- PANEL W. PANEL WIDTH
- PANEL H. PANEL HEIGHT

Prepared for:

190 MEADOW LAND
 GLENWOOD SPRINGS, CO 81601
 888 . 788 . 3972
 FACSIMILE 888 . 788 . 3972
 email: TIM@OP-ART.COM
 uri: WWW.OP-ART.COM

- REVISIONS
- 05/20/05 BD RESUBMITTAL
 - 11/21/05 REVISED PANELS

WITHOUT WRITTEN CONSENT OF ALLEN DESIGNS IS PROHIBITED.
 COMMERCIAL CENTER INDUSTRIAL BUILDINGS
 COMMERCIAL CENTER DRIVE
 MORENO VALLEY, CA 92553

by ALLEN DESIGNS
 Consulting Structural Engineers
 31878 Dal Cir, Suite 118-513
 San Juan Capistrano, CA 92675
 V (949) 248-6569
 F (949) 239-2529
 © 2005, ALLEN DESIGNS

DRAWING INFO.

PANEL ELEVATIONS BUILDING A

JOB No. AD#20501
 DRAWN BA
 DATE 04/15/05
 CHECKED TWA
 SCALE: 1/8"=1'-0"

SHEET No.

S402

© 2005, ALLEN DESIGNS. THE USE AND PUBLICATION OF THESE PLANS AND DETAILS SHALL BE RESTRICTED TO THE ORIGINAL SITE FOR WHICH THEY WERE PREPARED.