

190 MEADOW LAND
 GLENWOOD SPRINGS, CO
 81601
 888 . 788 . 3972
 FACSIMILE
 888 . 788 . 3972
 email: TIM@OP-ART.COM
 url: WWW.OP-ART.COM

REVISIONS

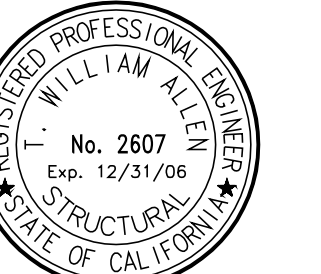
- 05/20/05 BD RESUBMITTAL
- 11/21/05 REVISED PANELS

COMMERCIAL CENTER INDUSTRIAL BUILDINGS

COMMERCIAL CENTER DRIVE
 MORENO VALLEY, CA 92553

ALLEN DESIGNS
 Consulting Structural Engineers
 31879 Dal Cirano, Suite 118-513
 San Juan Capistrano, CA 92675
 V (949) 245-8500
 F (949) 245-2500

© 2005, ALLEN DESIGNS



DRAWING INFO.

PANEL ELEVATIONS BUILDING A

JOB No. AD#20501
 DRAWN BA
 DATE 04/15/05
 CHECKED TWA

SCALE: 1/8"=1'-0"

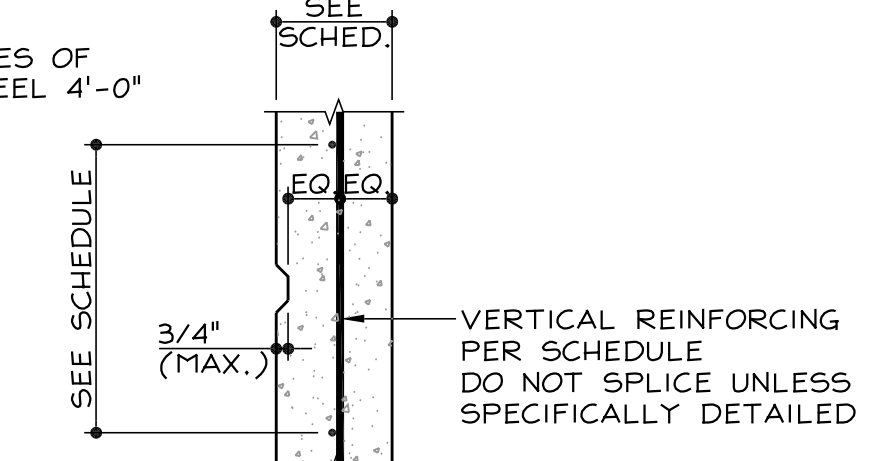
SHEET No.

S401

TILT-UP PANEL REINFORCING SCHEDULE:

MARK	PANEL THICKNESS	VERTICAL REINFORCEMENT	HORIZONTAL REINFORCEMENT	F _c @ 28 DAYS
①	7-1/4"	#5 @ 8"	#4 @ 18"	3,500 psi
③	7-1/4"	#5 @ 7"	#4 @ 18"	3,500 psi
⑤	7-1/4"	#5 @ 15"	#4 @ 18"	3,500 psi

NOTES:
 1. STAGGER SPLICES OF HORIZONTAL STEEL 4'-0"



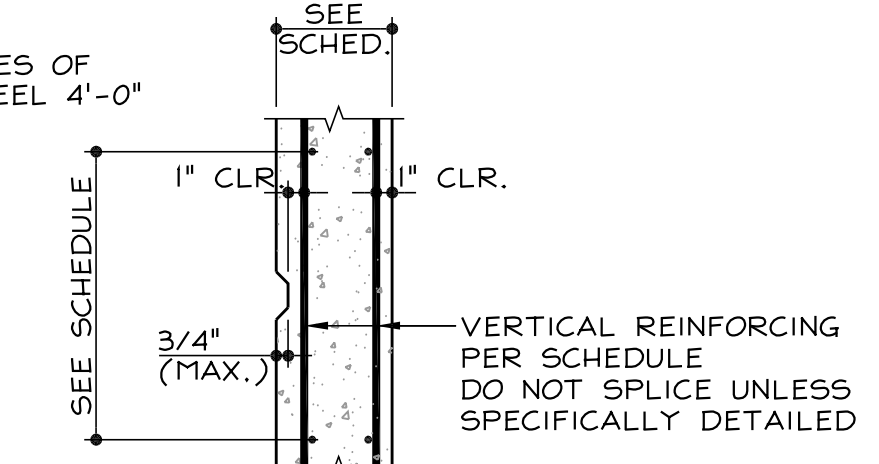
TILT-UP PANEL REINF.

SCALE: 1"=1'-0"

TILT-UP PANEL REINFORCING SCHEDULE:

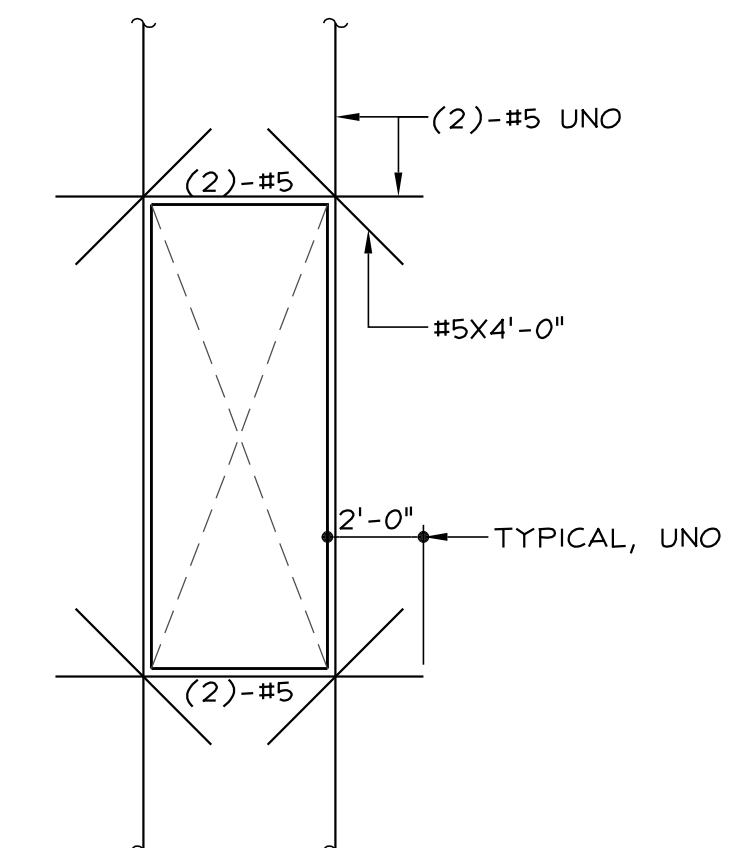
MARK	PANEL THICKNESS	VERTICAL REINFORCEMENT	HORIZONTAL REINFORCEMENT	F _c @ 28 DAYS
②	7-1/4"	#5 @ 15" E.F.	#4 @ 18" E.F.	3,500 psi

NOTES:
 1. STAGGER SPLICES OF HORIZONTAL STEEL 4'-0"



TILT-UP PANEL REINF.

SCALE: 1"=1'-0"



WALL REINF. DETAIL

SCALE: 1/4"=1'-0"

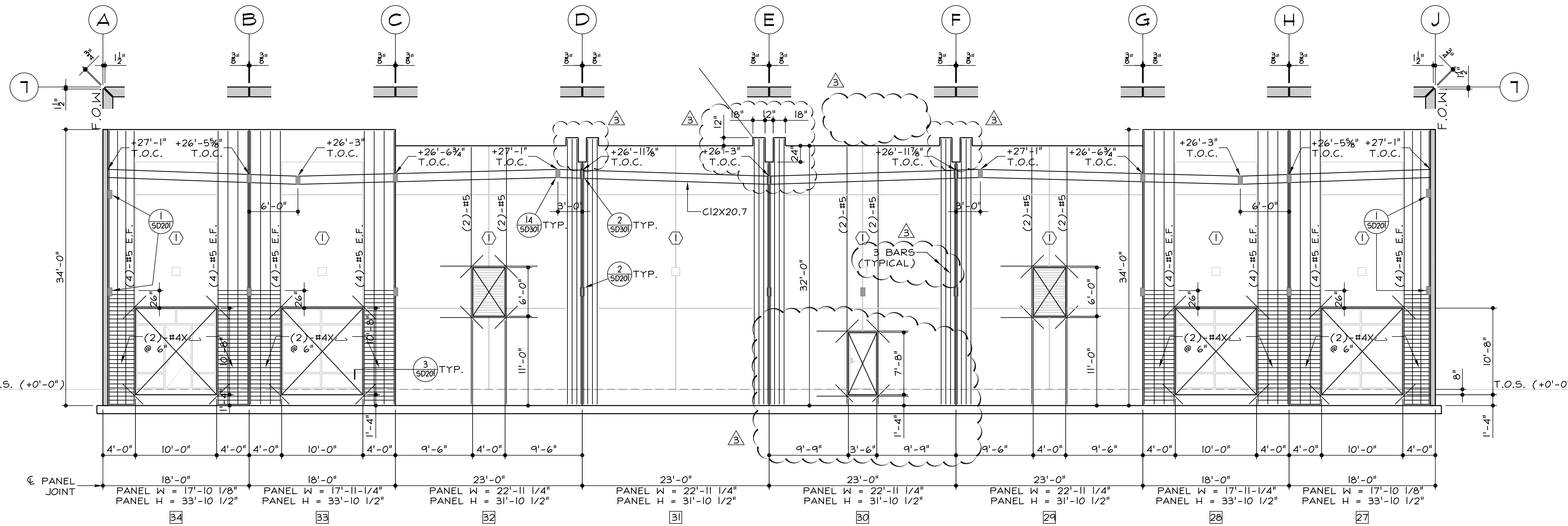
TILT WALL PANEL NOTES:

- ① INDICATES PANEL NUMBER
- ② INDICATES REFERENCE TO TYPICAL REINFORCING AND PANEL THICKNESS DETAIL PER SCHEDULE BELOW:

MARK	DETAIL
①	①
③	②

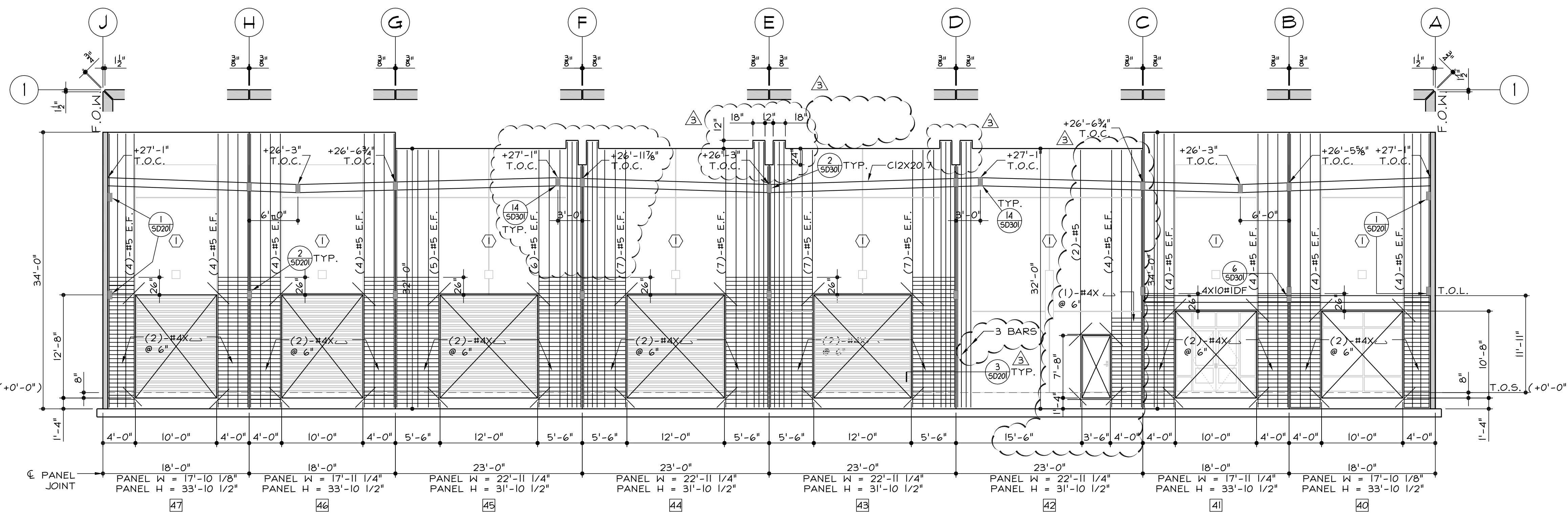
SEE ARCHITECTURAL DRAWINGS FOR LOCATION OF REVEALS AND DIMENSIONS OF RECESSES (3/4" MAX. DEPTH).

- T.O.C. TOP OF CHANNEL
- T.O.L. TOP OF LEDGER
- T.O.S. TOP OF SLAB
- F.O.W. FACE OF WALL
- PANEL W PANEL WIDTH
- PANEL H PANEL HEIGHT



PANEL ELEVATION GRID LINE 7 - BUILDING A

SCALE: 1/8"=1'-0"



PANEL ELEVATION GRID LINE 1 - BUILDING A

SCALE: 1/8"=1'-0"

© 2005, ALLEN DESIGNS. THE USE AND PUBLICATION OF THESE PLANS AND DETAILS SHALL BE RESTRICTED TO THE ORIGINAL SITE FOR WHICH THEY WERE PREPARED. USE WITHOUT WRITTEN CONSENT OF ALLEN DESIGNS IS PROHIBITED.