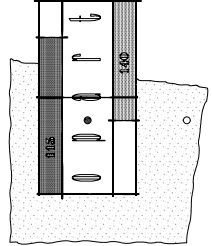


Prepared for:



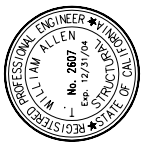
7407 OXFORD PLACE
RANCHO CUCAMONGA, CA
91730
888 . 188 . 3472
FACSIMILE
888 . 188 . 3472
email: OPART@WVDBORG
url: WWW.OP-ART.COM

REVISIONS



EMPIRE OFFICE
Building w/Mezzanine
ONTARIO, CALIFORNIA

ALLEN DESIGNS
CONSULTING STRUCTURAL ENGINEERS
11000 WILSON AVENUE, SUITE 100
SAN JUAN CAPISTRANO, CA 92675-5284
V (949) 348-8888 / F (949) 348-8888
© 2004, ALLEN DESIGNS



DRAWING INFO.

FOUNDATION PLAN

JOB NO. ADP20402A
DRAWN BA
DATE 11/24/04
CHECKED TMA
SCALE: 1/4"=1'-0"

SHEET NO.

S2.1

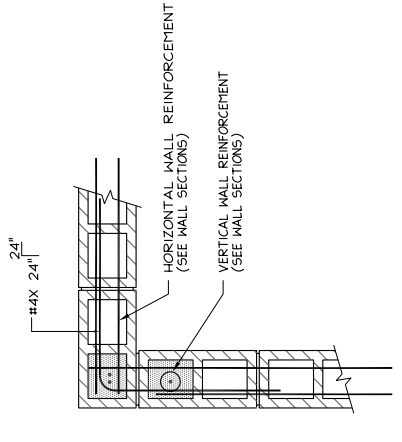
(PF-x') REFERS TO PAD FOOTING DESIGN IN STRUCTURAL CALCULATIONS
(C-x') REFERS TO COLUMN DESIGN IN STRUCTURAL CALCULATIONS

FOUNDATION NOTES

MASONRY SPECIFICATIONS:
(SEE STRUCTURAL NOTES FOR MORE INFORMATION)
8" MEDIUM WT. CONCRETE BLOCK
SOLID GROUTED
SPECIAL INSPECTION REQUIRED
F_{cm}=3,000 psi (PRISM TEST)
TYPE "M" MORTAR f_c=3,000 psi
GROUT f_c=4,000 psi

ALL SINGLE BARS SHOWN ON WALL ELEVATIONS ARE TO BE PLACED AT THE CENTER OF WALL.
ALL DOUBLE BARS SHOWN ON WALL ELEVATIONS ARE TO BE PLACED AT EACH FACE OF THE WALL.

MASONRY NOTES



CORNER DETAIL

SCALE: 1"=1'-0"

ANCHOR BOLTS	SOLE PLATE NAILING (SPN)	WOOD STRUCTURAL PANELS	GRADE: STRUCTURAL 1
5/8" UNO	16d @ 6"	7/16" w/8d @ 6" (2)	OR LTP4(5) @ 24"
48"	16d @ 4"	7/16" w/8d @ 4" (2)(3)	OR LTP4(5) @ 16"
32"(4)	16d @ 3"	7/16" w/8d @ 3" (2)(3)	OR LTP4(5) @ 12"
24"(4)	3/8" X 5" LAGS @ 8"	15/32" w/10d @ 3"(3)	OR LTP4(5) @ 8"
24"	3/8" X 5" LAGS @ 6"	15/32" w/10d @ 2"(3)	OR LTP4(5) @ 6"
16"	3/8" X 5" LAGS @ 4"	7/16" w/8d @ 3" (2)	BOTH SIDES OF WALL(1);
12"	3/8" X 5" LAGS @ 4"	15/32" w/10d @ 3"(3)	BOTH SIDES OF WALL(1);
12"	OR LTP4(5) @ 6"	15/32" w/10d @ 2"(3)	BOTH SIDES OF WALL(1);
(OR 3/4" @ 16")			
(OR 3/4" @ 10")			
(OR 3/4" @ 12")			

SEE SHEAR WALL NOTES NEXT SHEET

